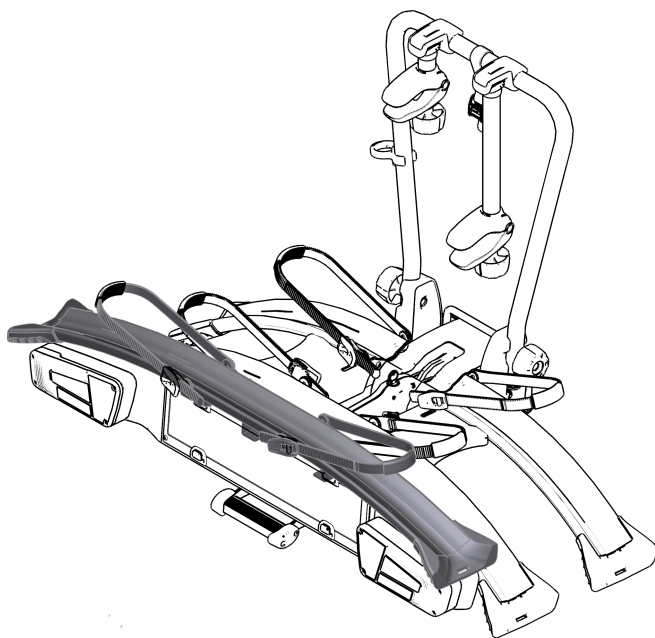


Art.23.GP017

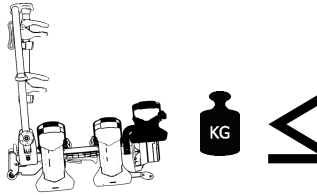
GPSINERGY





23.GP0 17

+



x3



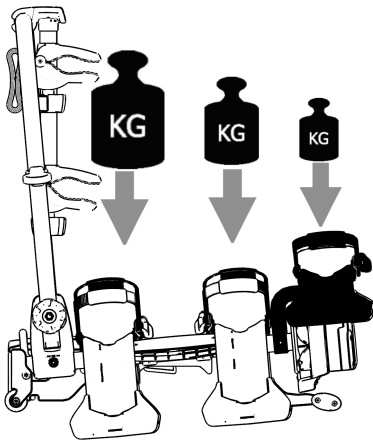
Max.60Kg

+

20,2 kg

≤

Max.xx kg



Max.17 kg



Max.17 kg



Max.15 Kg

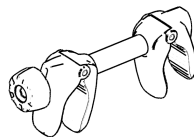
Max. 60Kg

23.GP017 = 20,2 Kg

Not Included

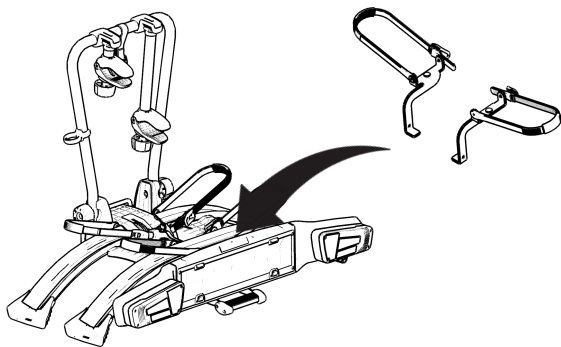


Included

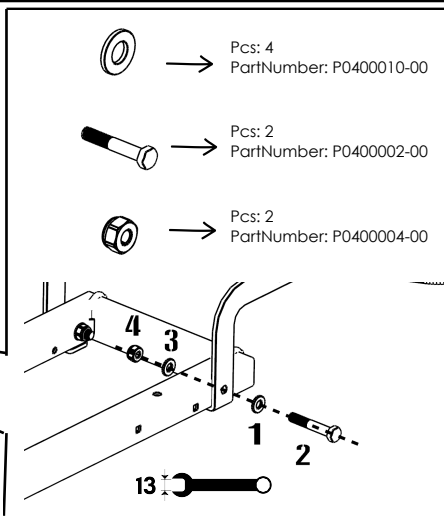
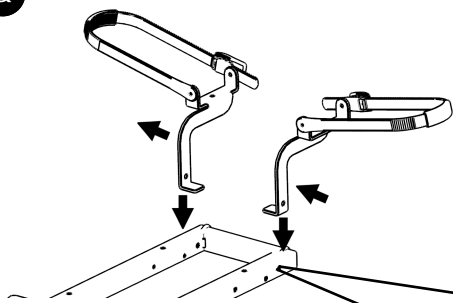


Art.693/QTAGP

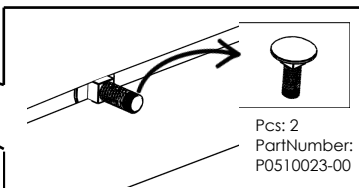
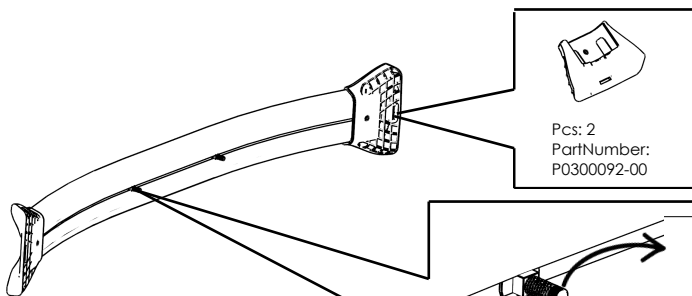
%

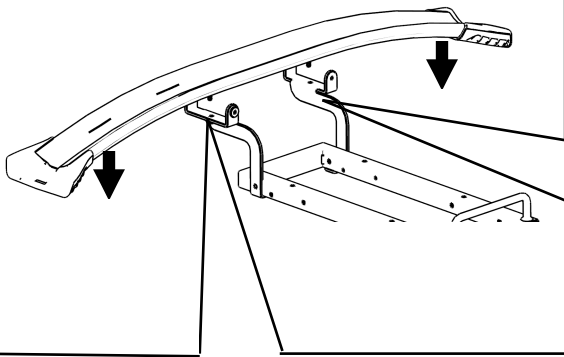


&



!





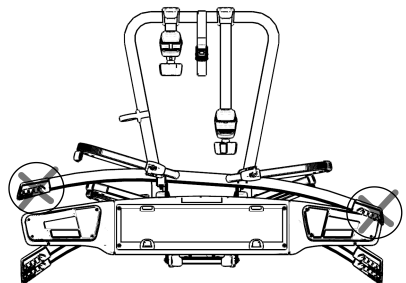
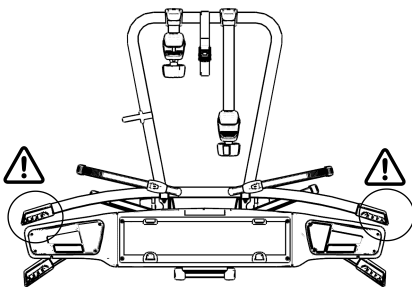
	Pcs: 1 PartNumber: P0110046-00
	Pcs: 1 PartNumber: P0110045-00

	Pcs: 2 PartNumber: P0400009-00
	Pcs: 2 PartNumber: P0400008-00



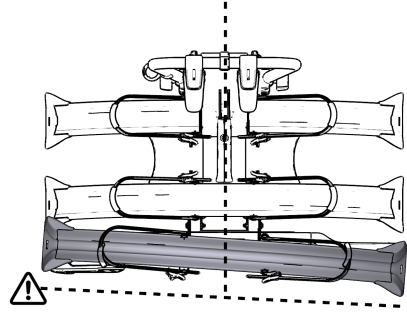
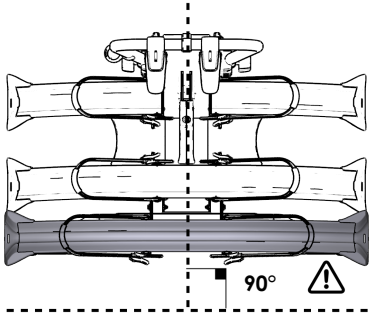
✓ OK

✗ NOT OK

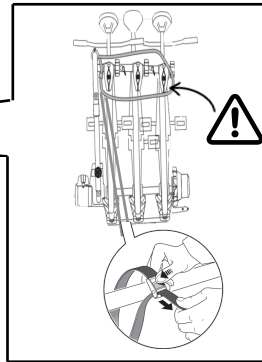
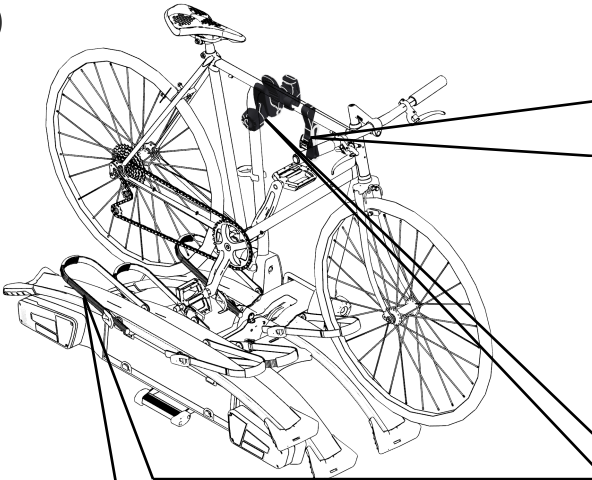


* ✓ OK

✗ NOT OK

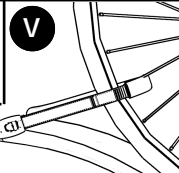
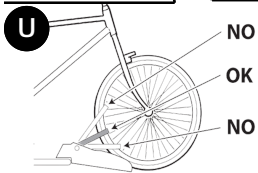
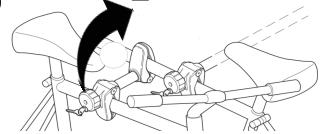


i



W

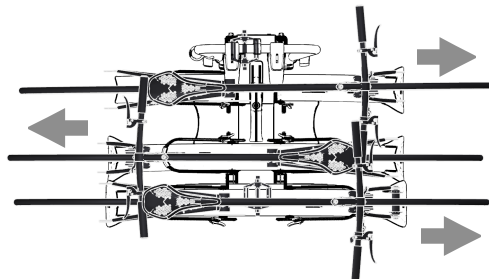
∅ min = 20 mm
max = 60 mm



X



Art.23.GP017



MANUFACTURED BY: Peruzzo Srl, Via Meucci, 115
36028 Rossano Veneto (VI)

UK AUTHORIZED REPRESENTATIVE: Health & Safety
Project Engineering LTD, 47 Newtown Road, Bishop's
Stortford, CM23 3SB, Hertfordshire(UK)

NAME: Ing.re Ivano Manfrin

e-mail: ivano.manfrin@engineer.uk.net