

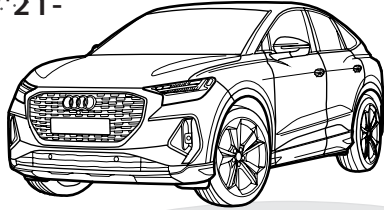


TREKHAKEN • ATTELAGES • ANHÄNGERVORRICHTUNGEN • TOWBARS • ENHANCES • ANHÆNGERTRÆK
Montagehandleiding | instructions de montage | Einbauanleitung | Mounting instruction
Instrucciones de montaje | monteringsvejledning



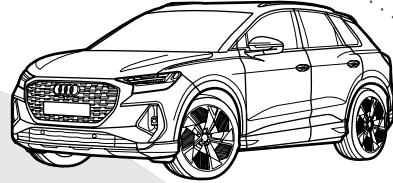
Audi Q4 e-tron Sportback (F4N)

06/'21-



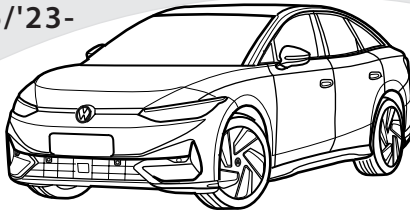
Audi Q4 e-tron (F4B)

03/'21-



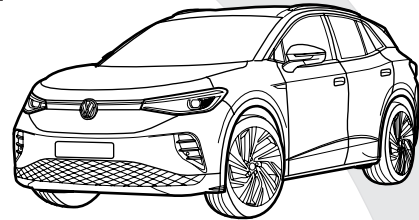
Volkswagen ID.7 (ED2)

06/'23-



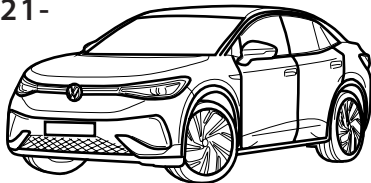
Volkswagen ID.4 (E21)

05/'20-



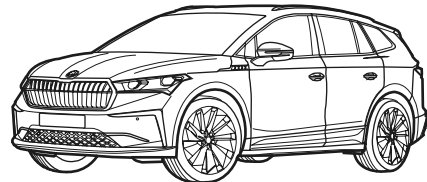
Volkswagen ID.5 (E39)

07/'21-



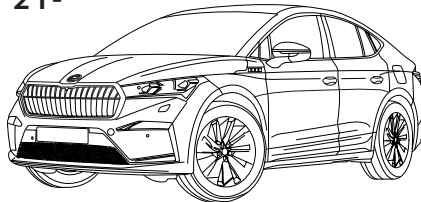
Skoda Enyaq SUV (5AZ)

10/'20-



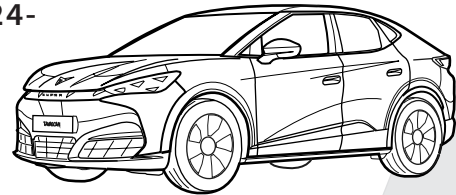
Skoda Enyaq Coupé (5AC)

07/'21-



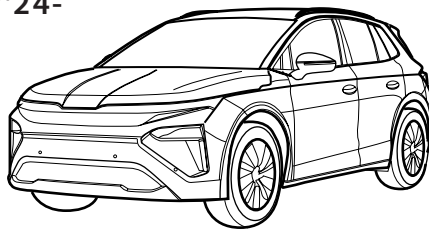
Cupra Tavascan (KR1)

03/'24-



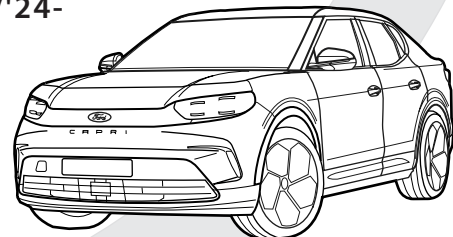
Skoda Elroq (PVL)

11/'24-



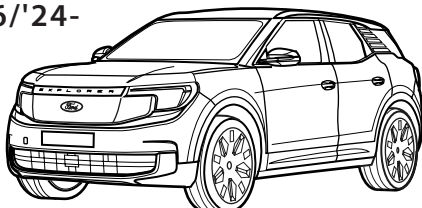
Ford Capri (CX740L)

10/'24-



Ford Explorer (CX740)

06/'24-



NL Belangrijke raadgevingen

Montage

- Voor de montage moet de trekhaak eerst op het voertuig gepresenteerd worden.

De belasting van een aanhangwagen en van een accessoire dat op de koppelingskogel wordt voorzien, zijn anders van aard. Voor beiden kunnen verschillende limieten van toepassing zijn. Hiervoor verwijzen we naar het instructieboekje van de wagen of naar uw concessiehouder.

FR Recommandations importantes

Montage

- Présenter l'attelage sous le véhicule avant d'effectuer le montage.

La charge d'une remorque ou d'un accessoire monté sur la boule d'attelage, sont de nature différentes. Des limites différentes peuvent s'appliquer à l'un et à l'autre. Nous vous recommandons de vous référer à votre livret d'instructions ou de vous renseigner chez votre concessionnaire.

EN General instructions

Fitting

- Present the towbar under the car first to check if all points are right.

The load of a trailer and of an accessory fitted on the towing ball are of a different nature. Different limits may apply to both. For this matter, we refer to the instruction manual of the vehicle or we advise you to contact your concessionaire.

DE Allgemeine Hinweise

Montage

- Halten Sie die Anhängerkupplung zunächst unter das Fahrzeug und prüfen Sie, ob alle Punkte übereinstimmen.

Die Last eines Anhängers und die Last eines an der Zugkugel montierten Zubehörs unterscheiden sich grundsätzlich. Für beide können unterschiedliche Grenzwerte gelten. Wir verweisen diesbezüglich auf die Betriebsanleitung des Fahrzeugs oder empfehlen Ihnen, sich an Ihren Vertragshändler zu wenden.

ES Instrucciones generales

Montaje

- Presentar el enganche debajo del vehículo antes de realizar el montaje.

La carga de un remolque y un accesorio montado en una bola de remolque son de una naturaleza diferente. Se pueden aplicar diferentes límites a ambos. Para este asunto, nos referimos al manual de instrucciones del vehículo o le recomendamos que contacte a su distribuidor.

DK Generelle instruktioner

Montering

- Præsenter trækstangen under bilen først for at kontrollere, om alle punkter er rigtige.

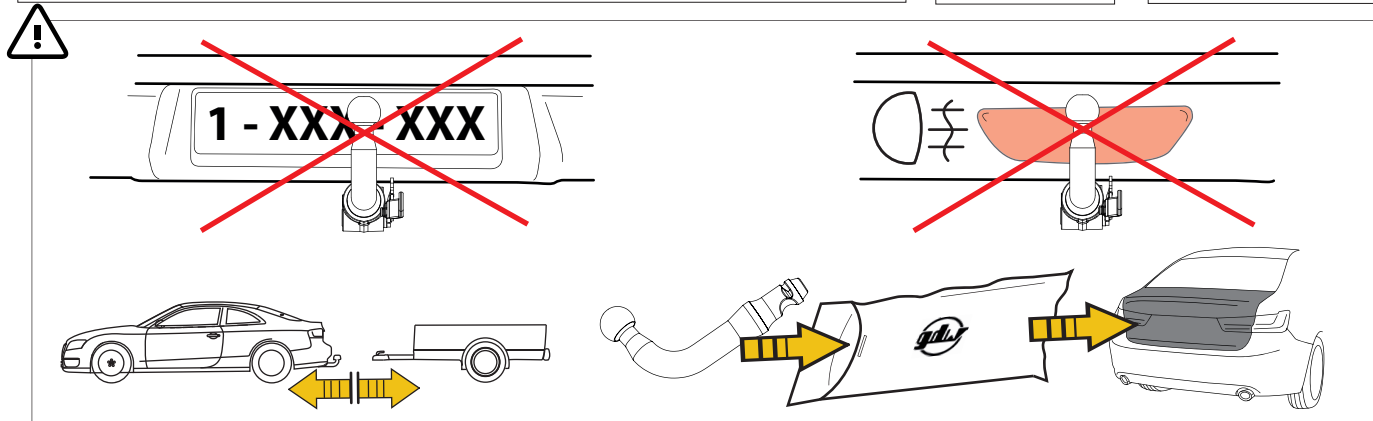
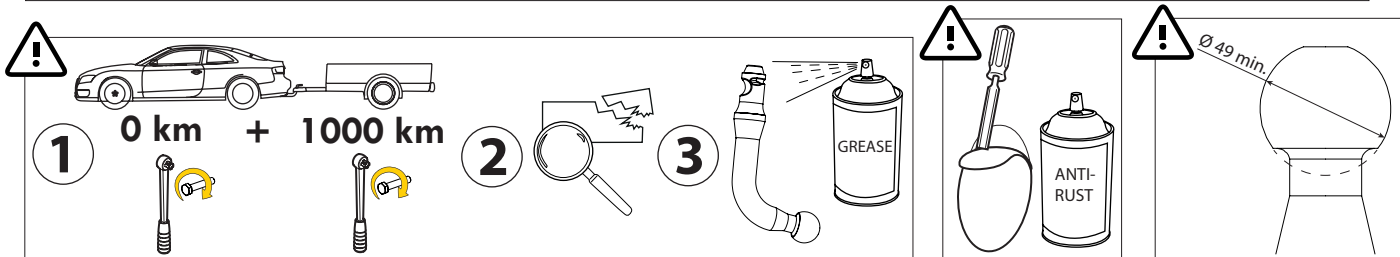
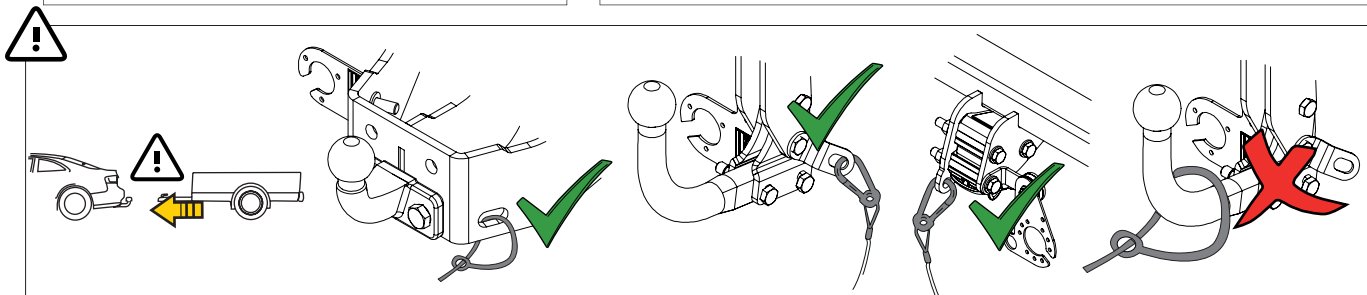
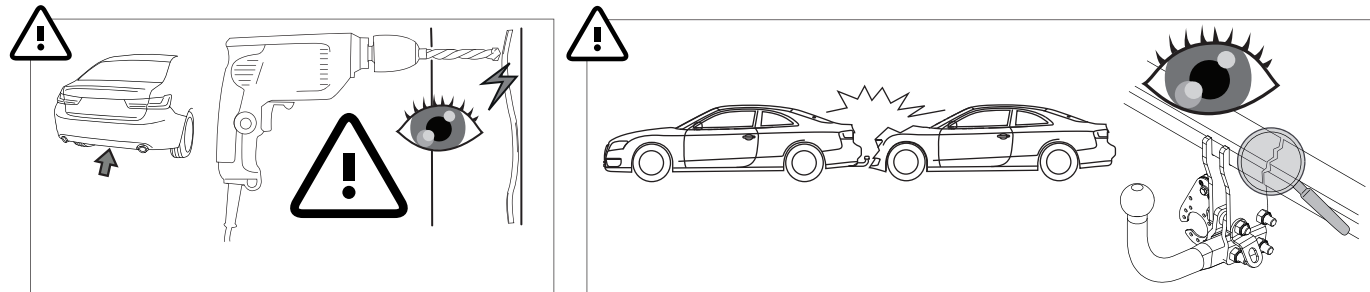
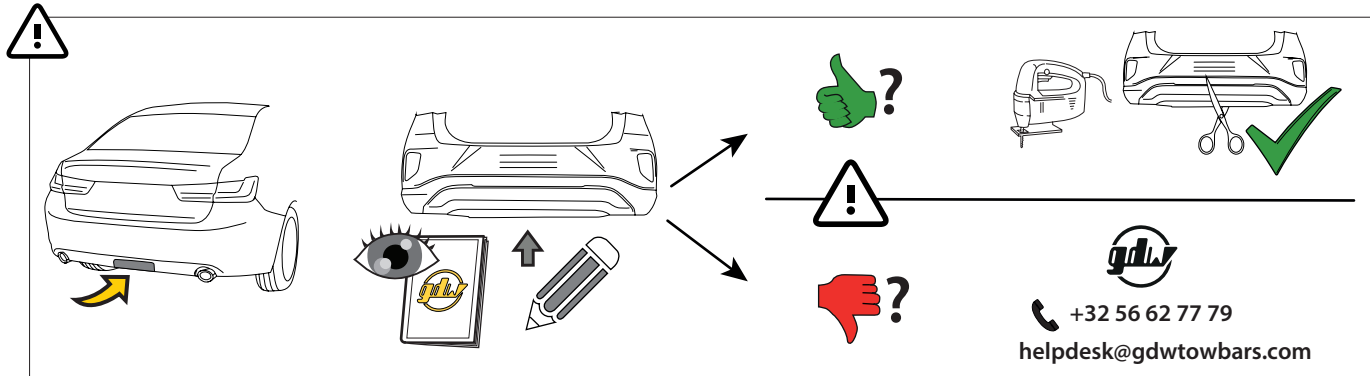
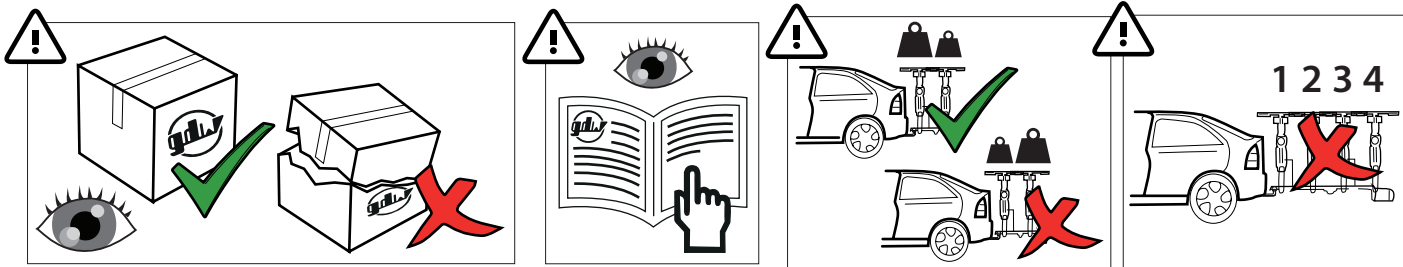
Belastningen af en trailer og af tilbehør tilkoblet anhængertrækket er forskellige. Der kan være forskellige begrænsninger på begge. I disse tilfælde henviser vi til bilens manual, eller anbefaler dig at kontakte bilforhandleren


IT Consigli importanti

Montaggio

- In primo luogo, presentare la struttura sotto l'automobile per verificare che tutti i punti di attacco coincidano.

La massa rimorchiabile del veicolo potrebbe essere diversa dal valore riportato sul documento del gancio di traino. Per questo motivo, vi invitiamo a consultare sempre la carta di circolazione del veicolo (Pos. O.1) o a rivolgervi alla vostro concessionario di fiducia


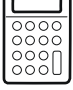


MADE BY  **D 10,75** **A50-X** **E6**


BELGIUM **S 75** **55R-02 1855**

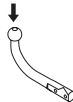
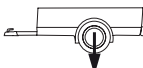
REF. N° **2864** **XXXX**

DESCRIPTION
Audi Q4 e-tron (Sportsback), Cupra Tavascan, Ford Capri + Explorer, VW ID.4 + ID.5 + ID.7, Skoda Enyaq SUV + Coupé





$$D = \frac{\text{max kg} \times \text{max kg}}{\text{max kg} + \text{max kg}} \times 0.00981 \leq 10,75 \text{ kN}$$




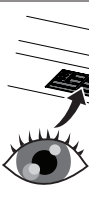
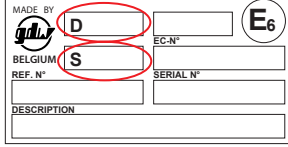


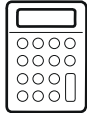
S =  ≤ 75 kg  ≤ 1800 kg


 **See the Certificate Of Conformity (COC) of your vehicle or contact your dealer to verify the max. trailer weight of your car!**



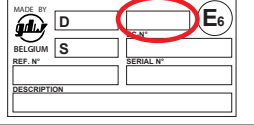
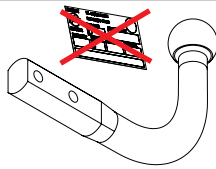
 **See the user manual of the vehicle for correct use of bicycle carriers!**

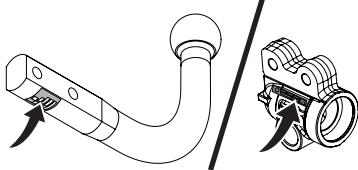
   

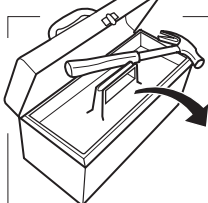
MAX KG **MAX KG** **MAX KG**

   \geq   **D-VALUE** **S-LOAD** 

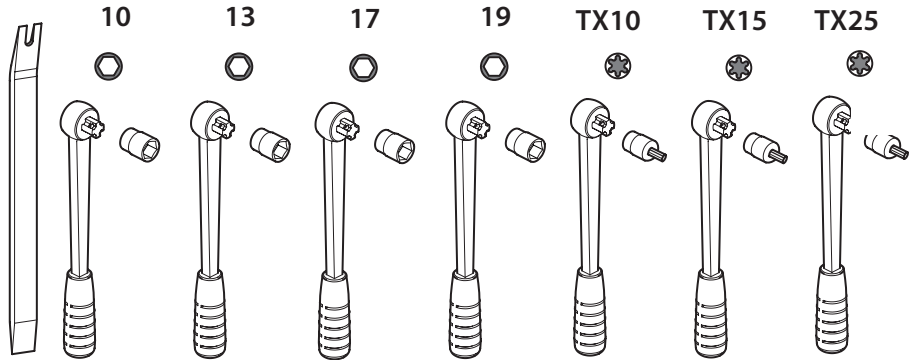


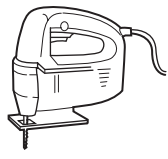
   **A50-X?** 

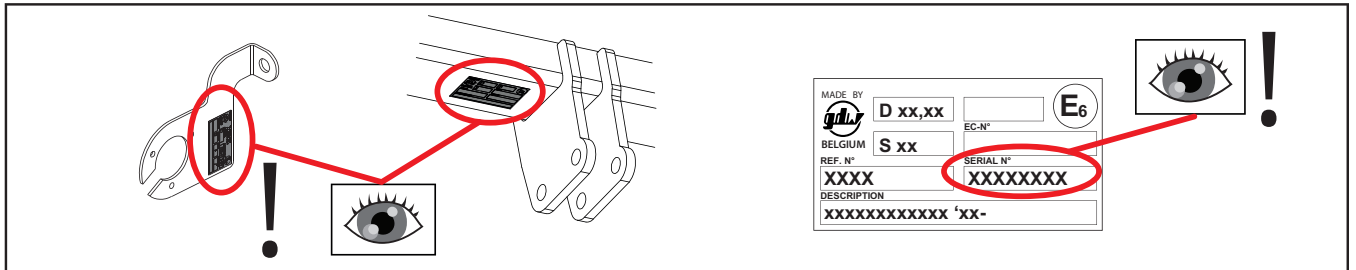
F? + 



10 **13** **17** **19** **TX10** **TX15** **TX25**

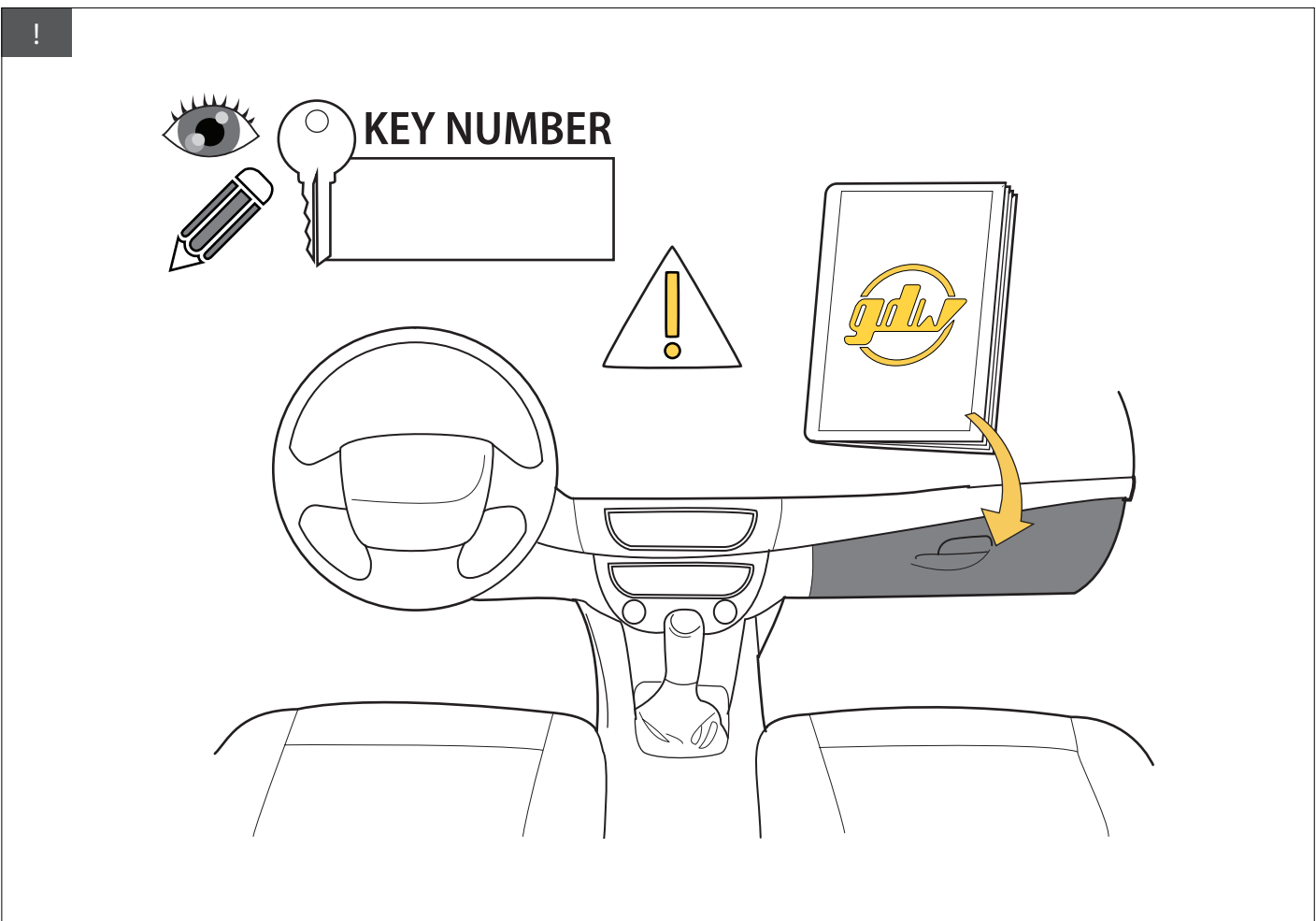


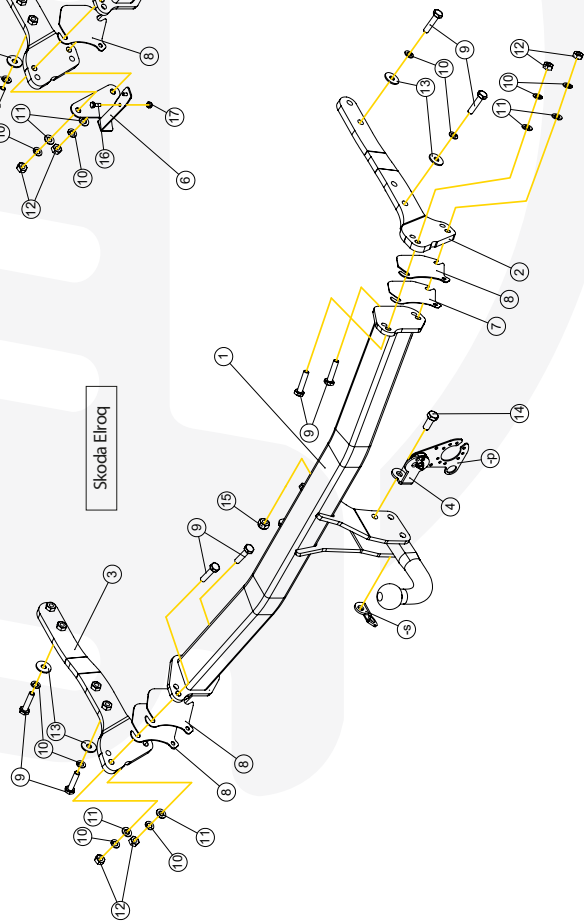
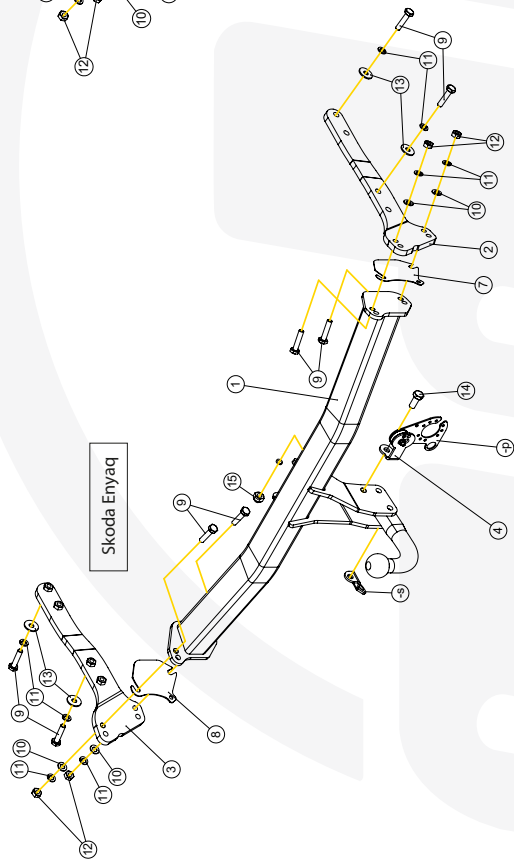
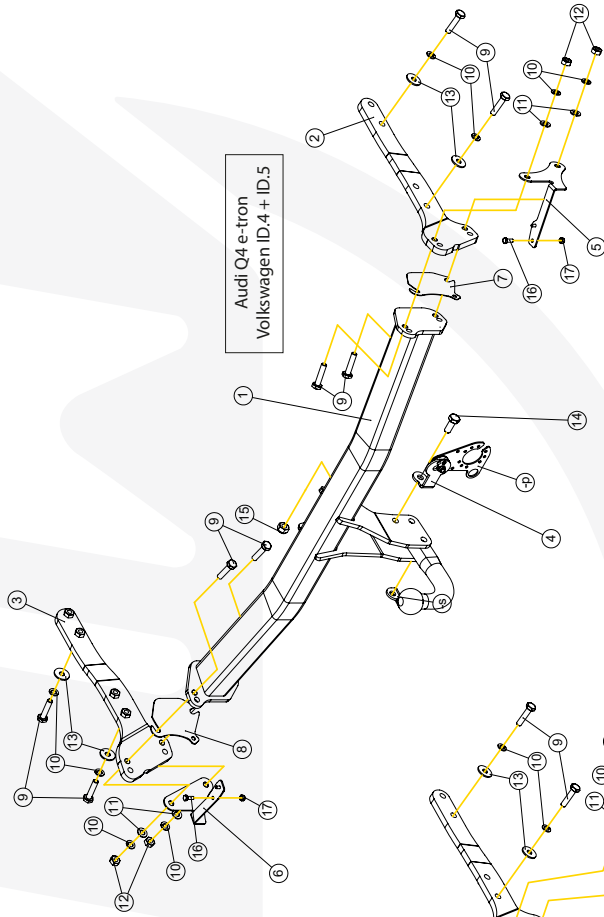
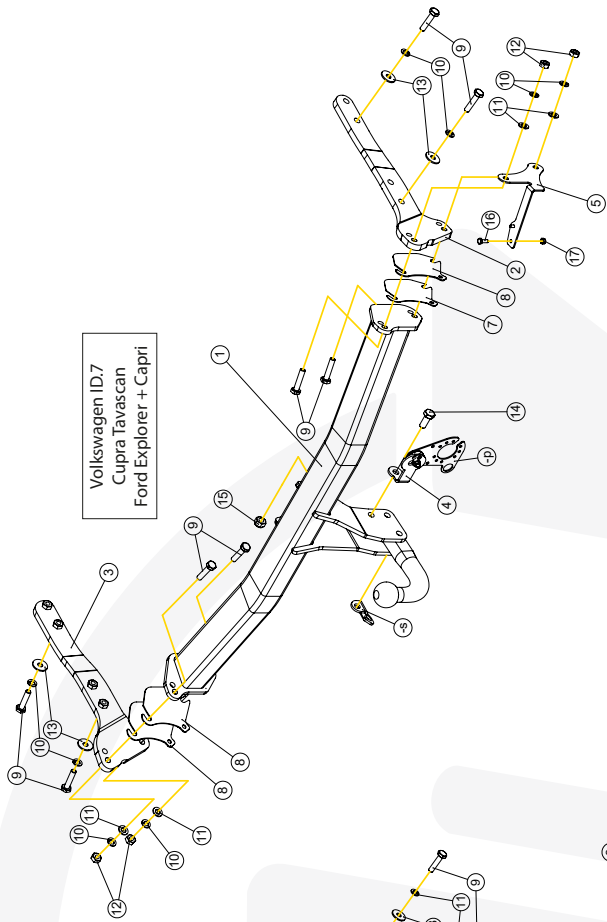




helpdesk@gdwtowbars.com
+32 56 62 77 79

Monday	08:00 - 12:00	12:30 - 16:30
Tuesday	08:00 - 12:00	12:30 - 16:30
Wednesday	08:00 - 12:00	12:30 - 16:30
Thursday	08:00 - 12:00	12:30 - 16:30
Friday	08:00 - 12:00	12:30 - 15:30





1

Skoda Enyaq
Skoda Elroq

* only for Elroq

Volkswagen ID.7

2

* TX25

TX15

* only for Elroq

Skoda Enyaq
Skoda Elroq

* TX15

TX25

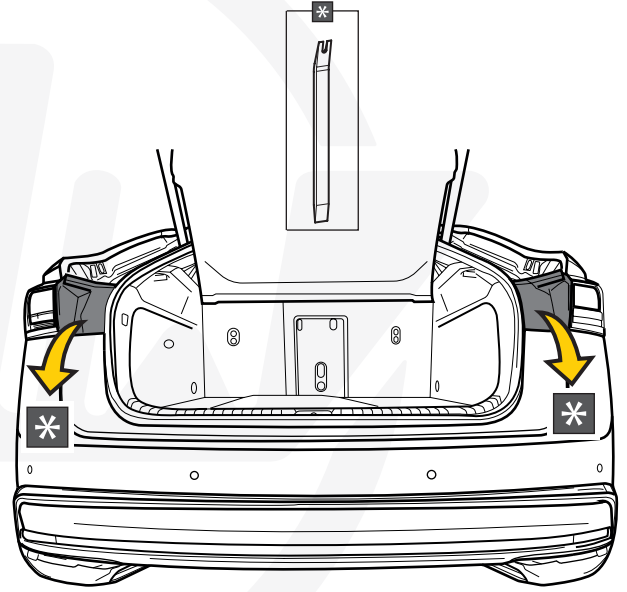
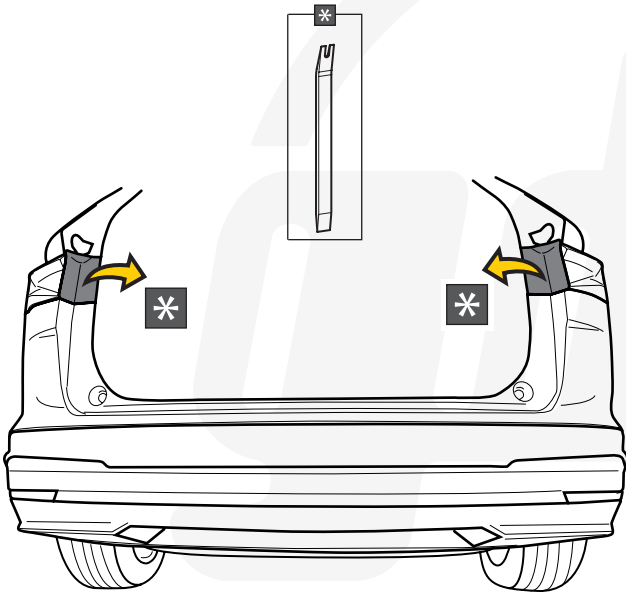
13

Volkswagen ID.7

3

Skoda Enyaq
Skoda Elroq

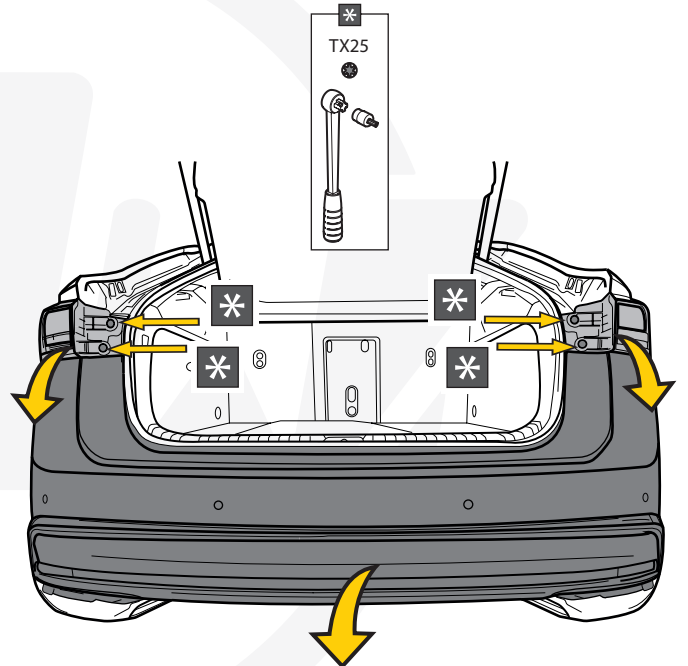
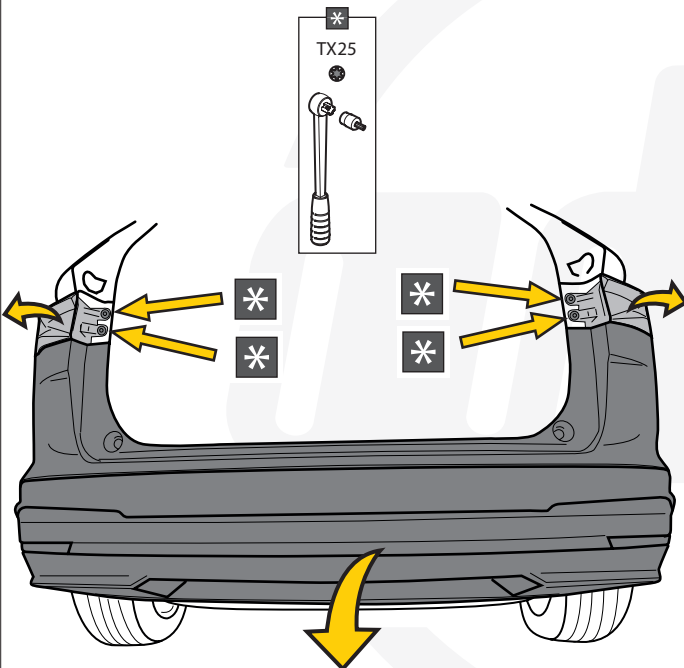
Volkswagen ID.7



4

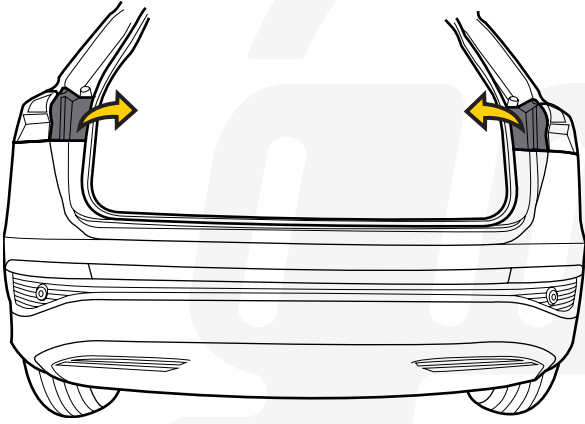
Skoda Enyaq
Skoda Elroq

Volkswagen ID.7

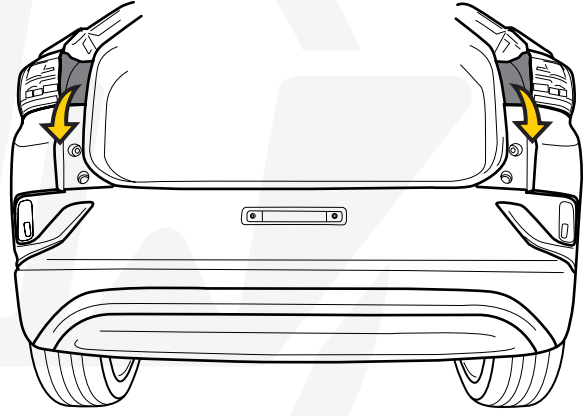


5

Audi Q4 e-tron

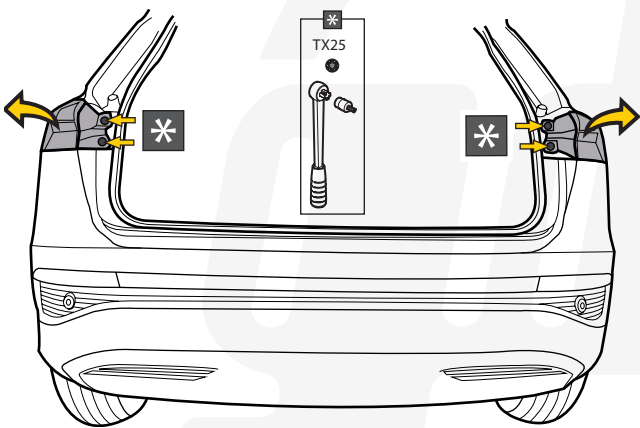


Volkswagen ID.4 - ID.5

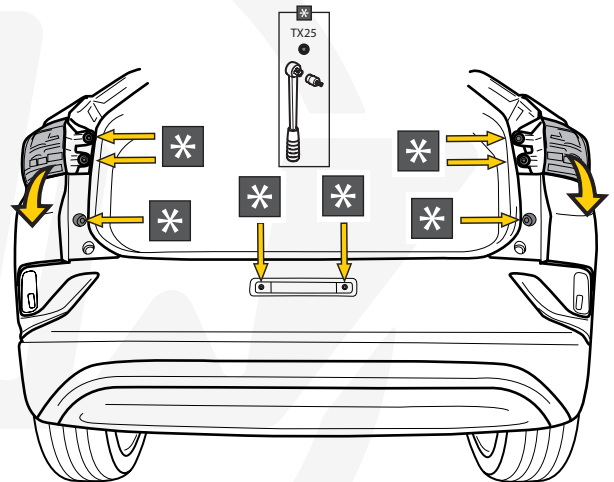


6

Audi Q4 e-tron



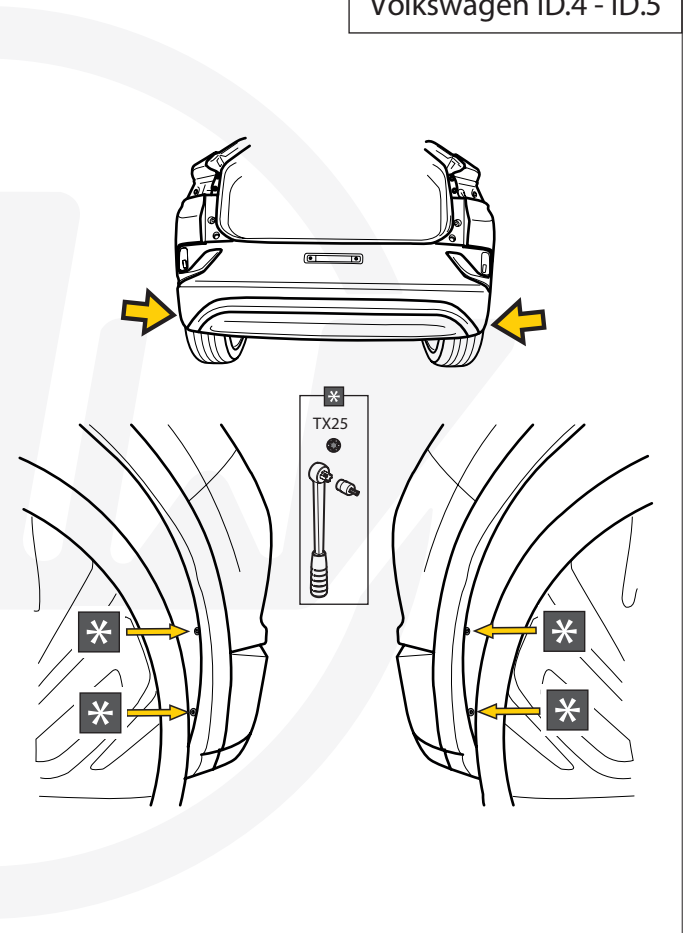
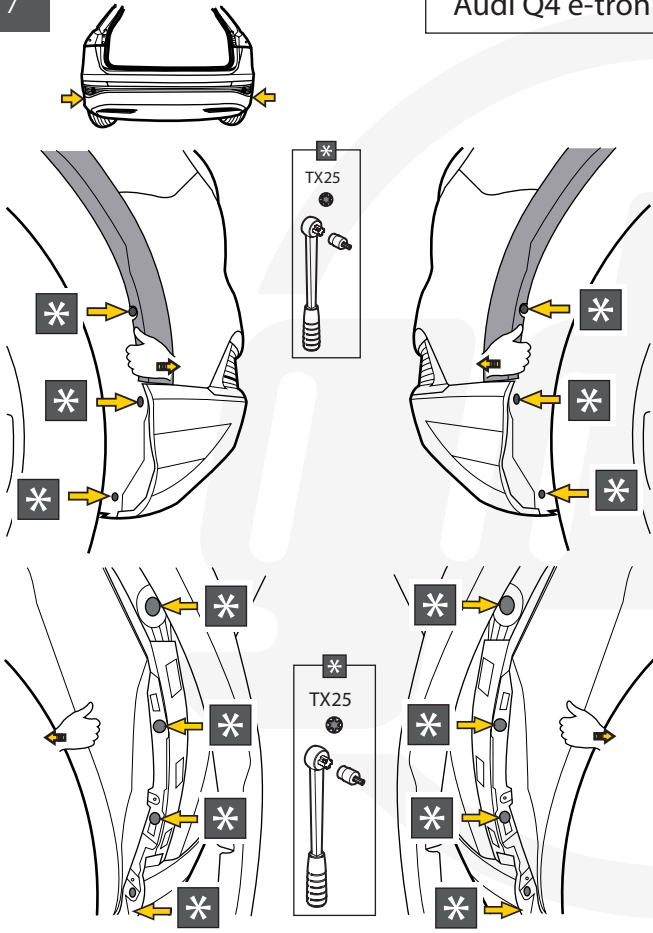
Volkswagen ID.4 - ID.5



7

Audi Q4 e-tron

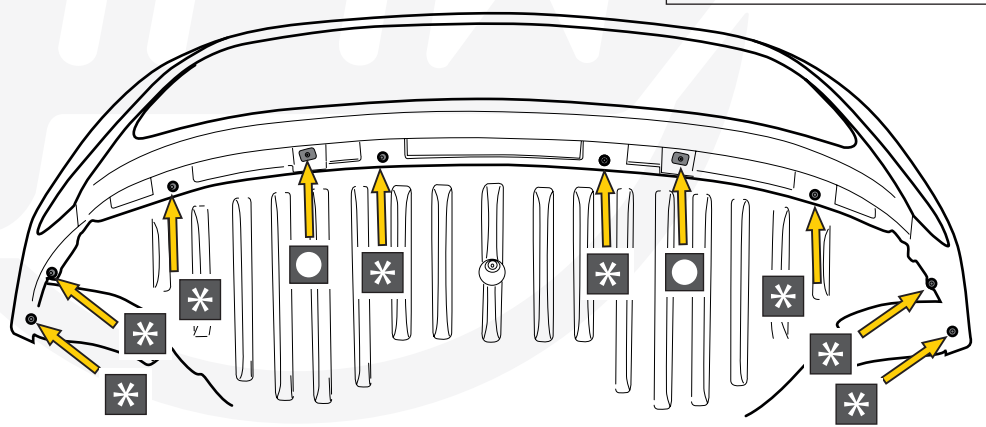
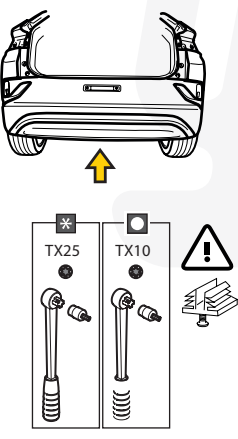
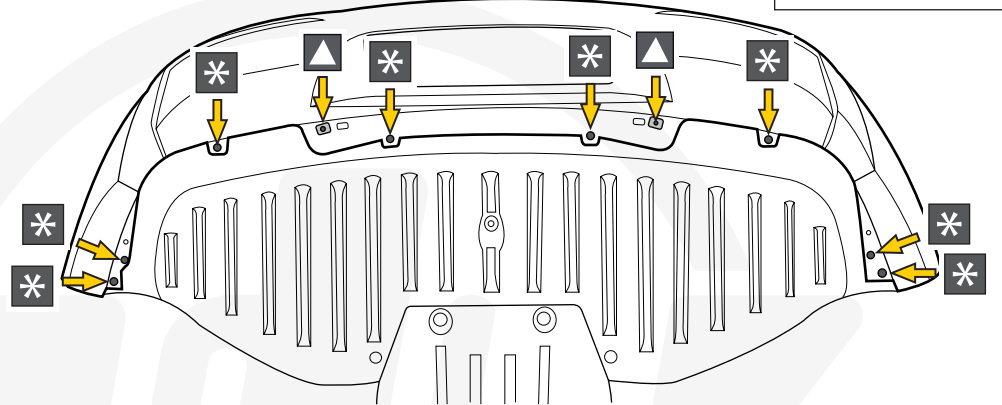
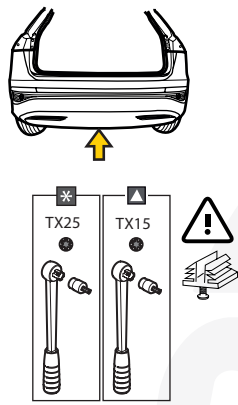
Volkswagen ID.4 - ID.5

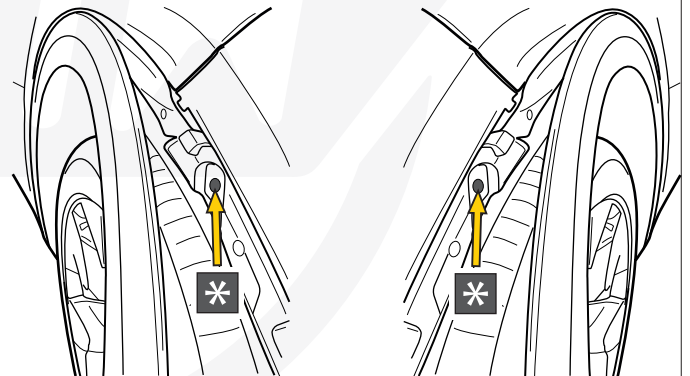
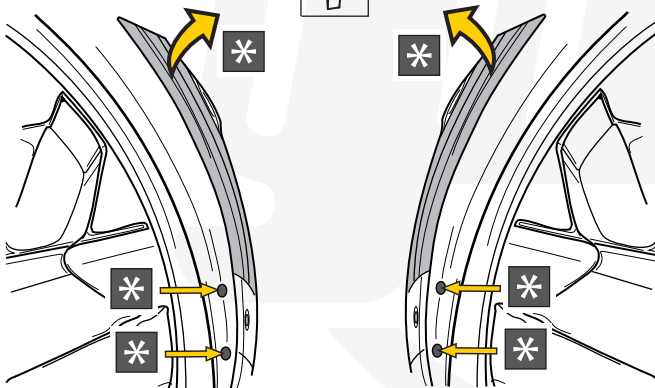
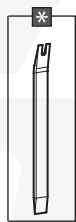
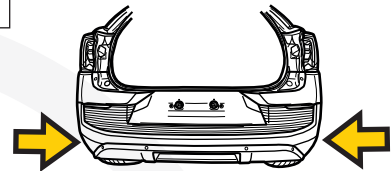
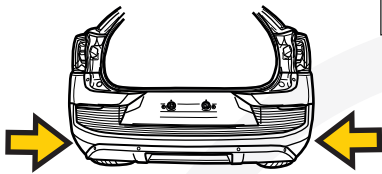
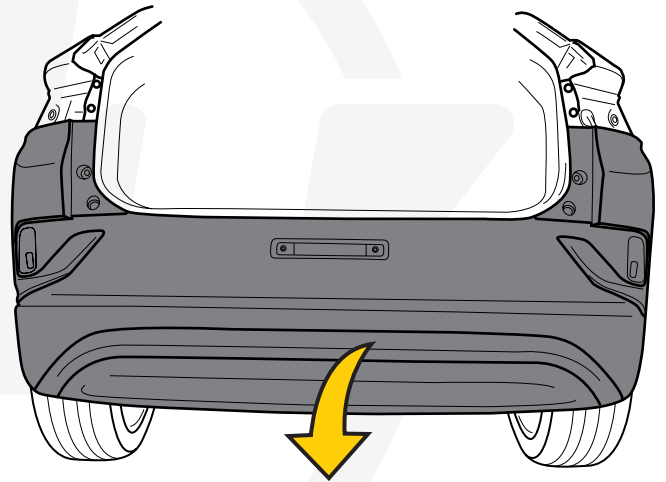
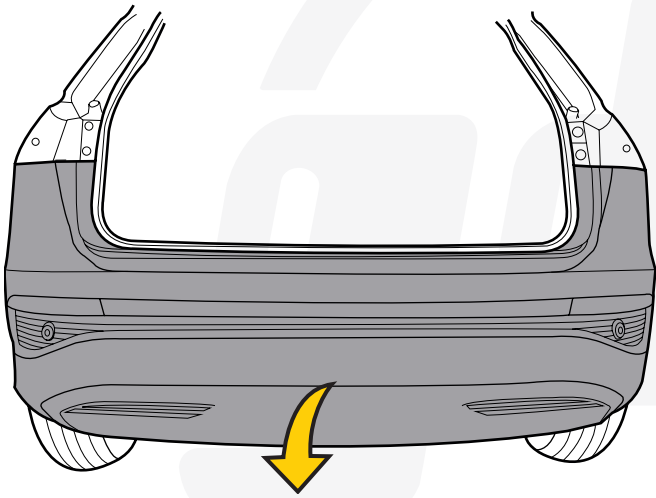


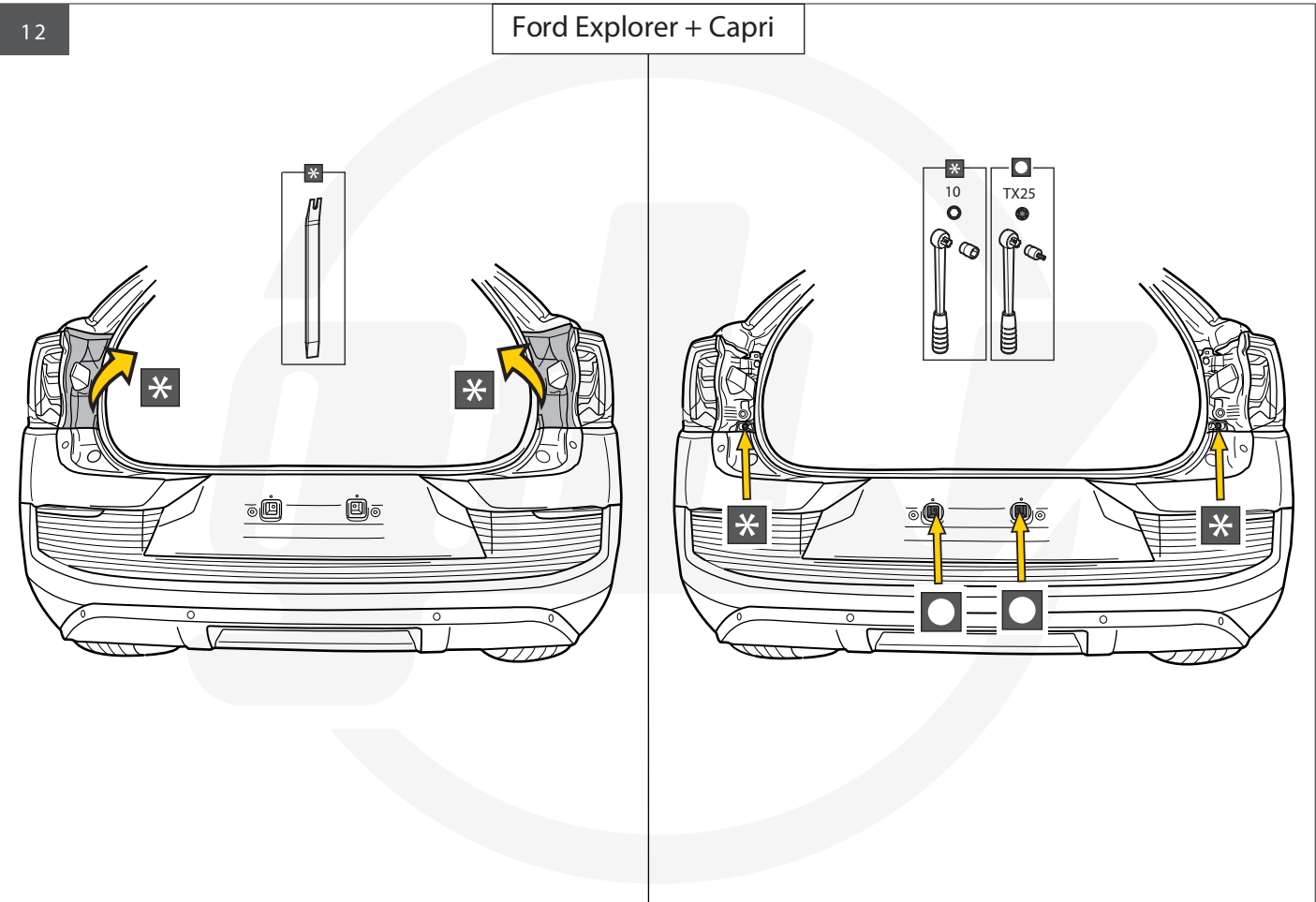
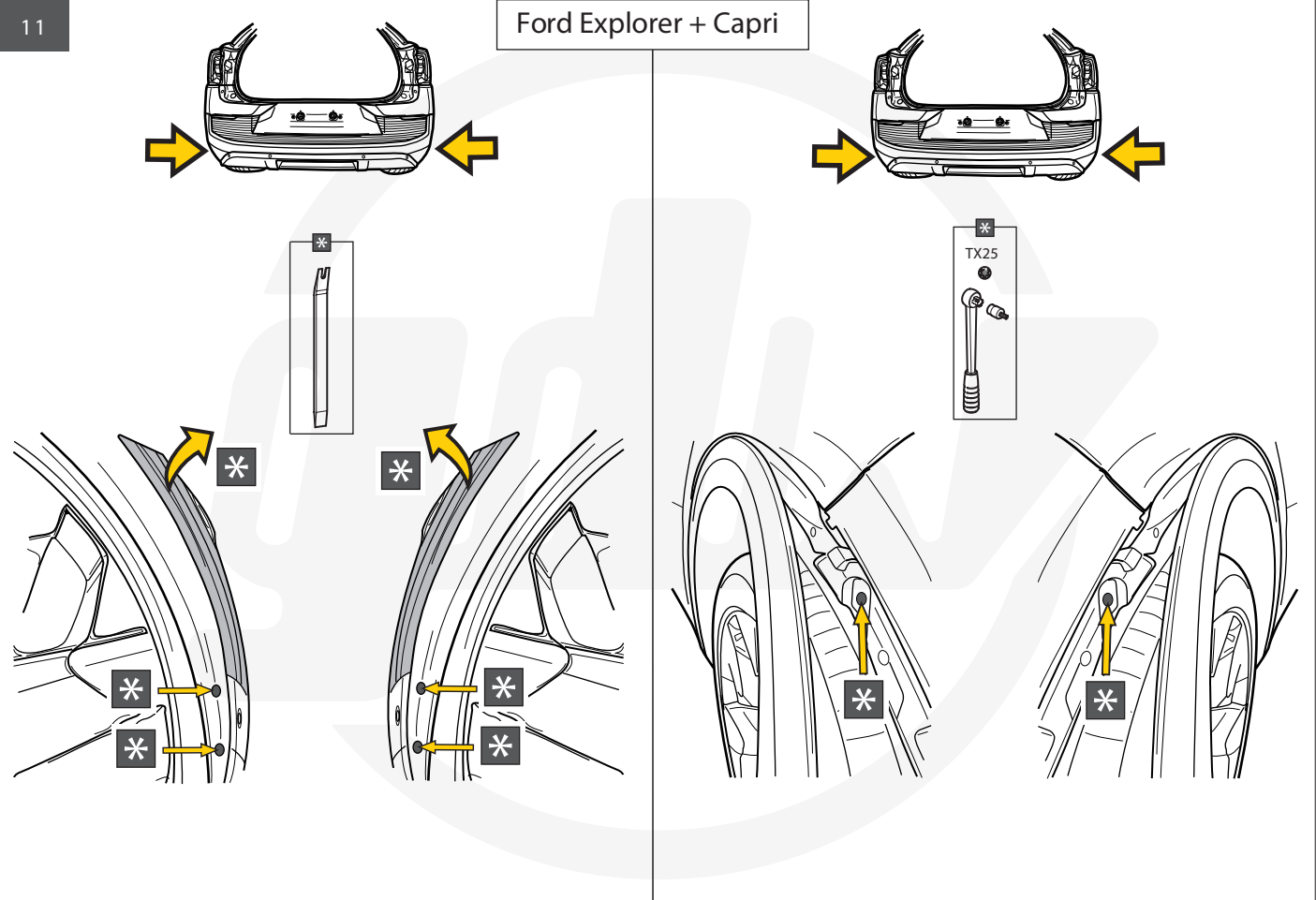
8

Audi Q4 e-tron

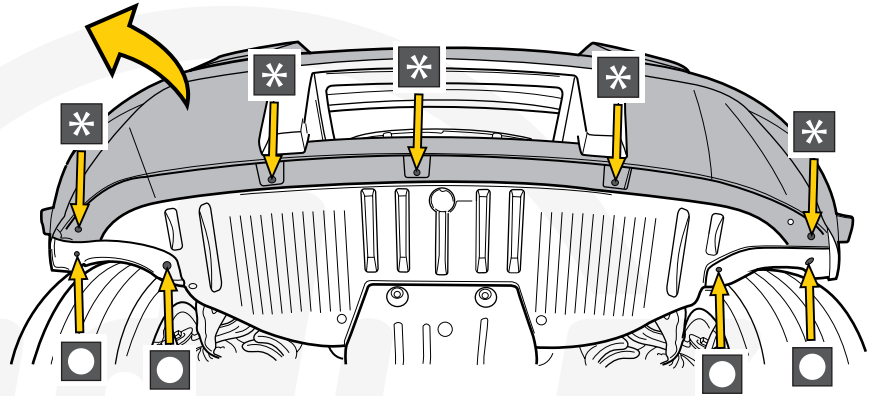
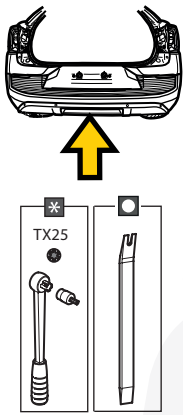
Volkswagen ID.4 - ID.5



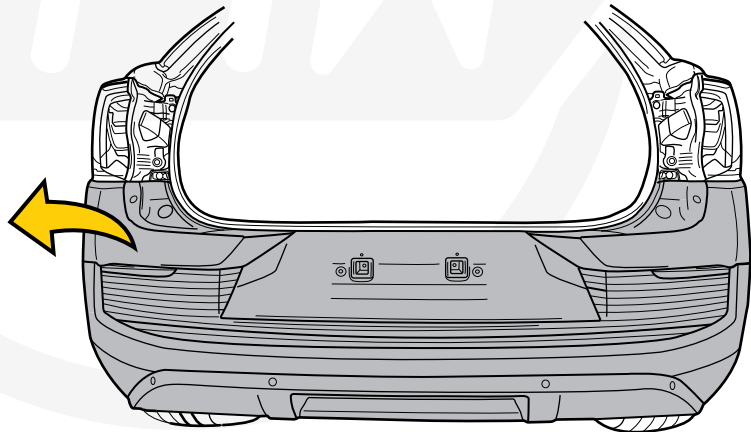




13

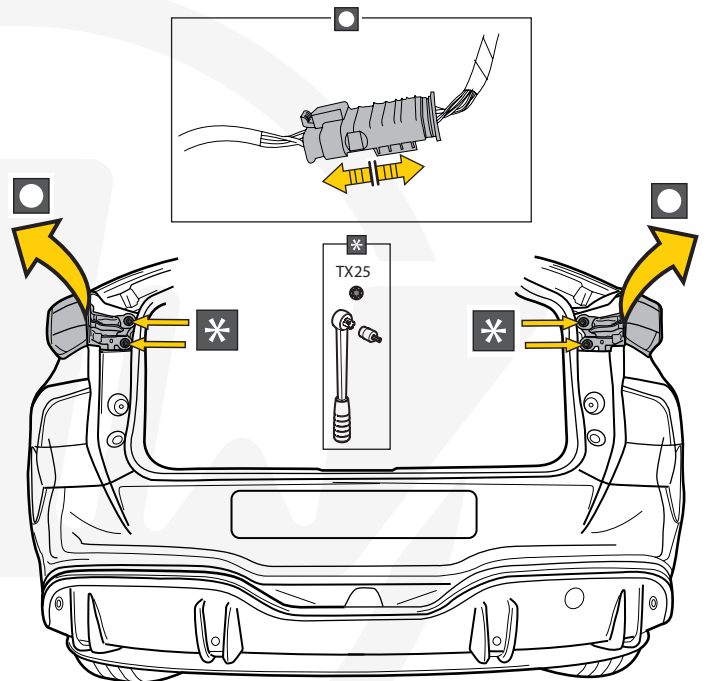
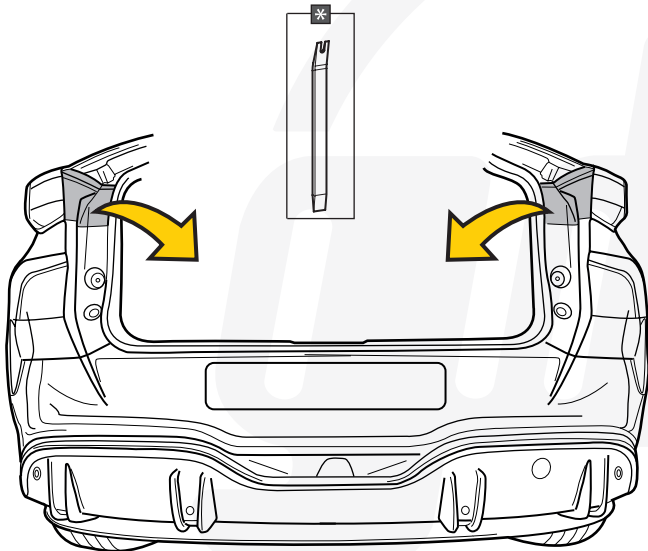


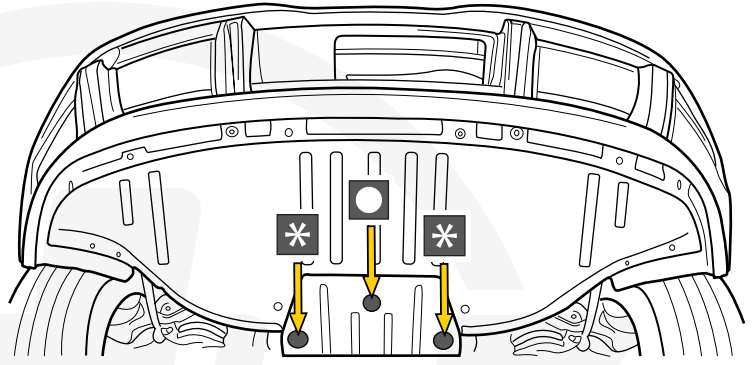
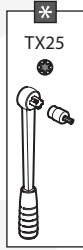
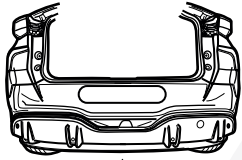
Ford Explorer + Capri



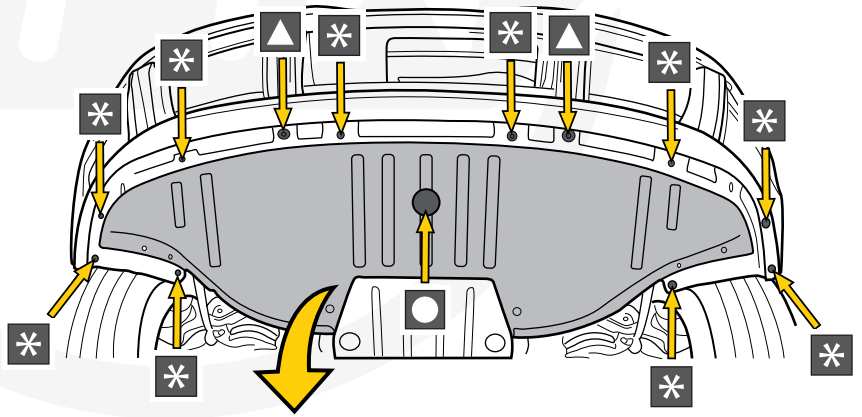
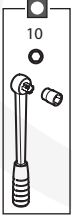
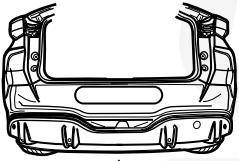
14

Cupra Tavascan

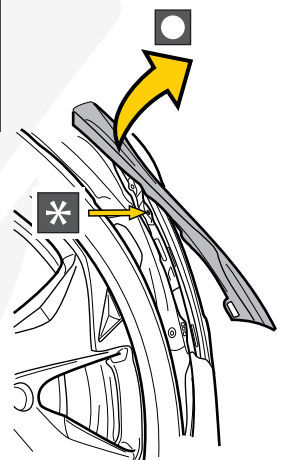
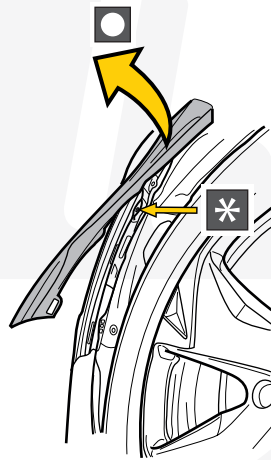
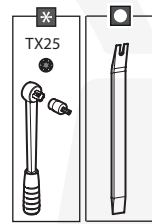
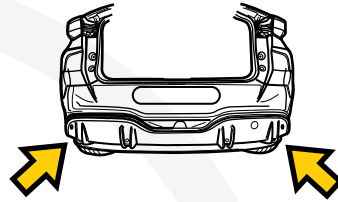
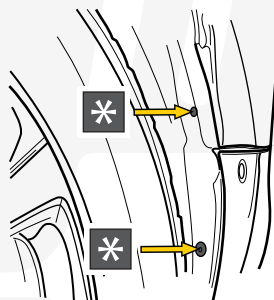
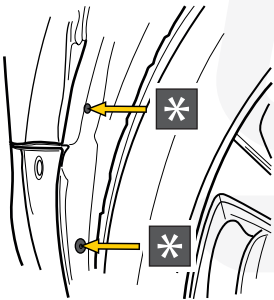
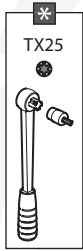
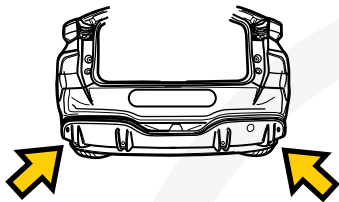


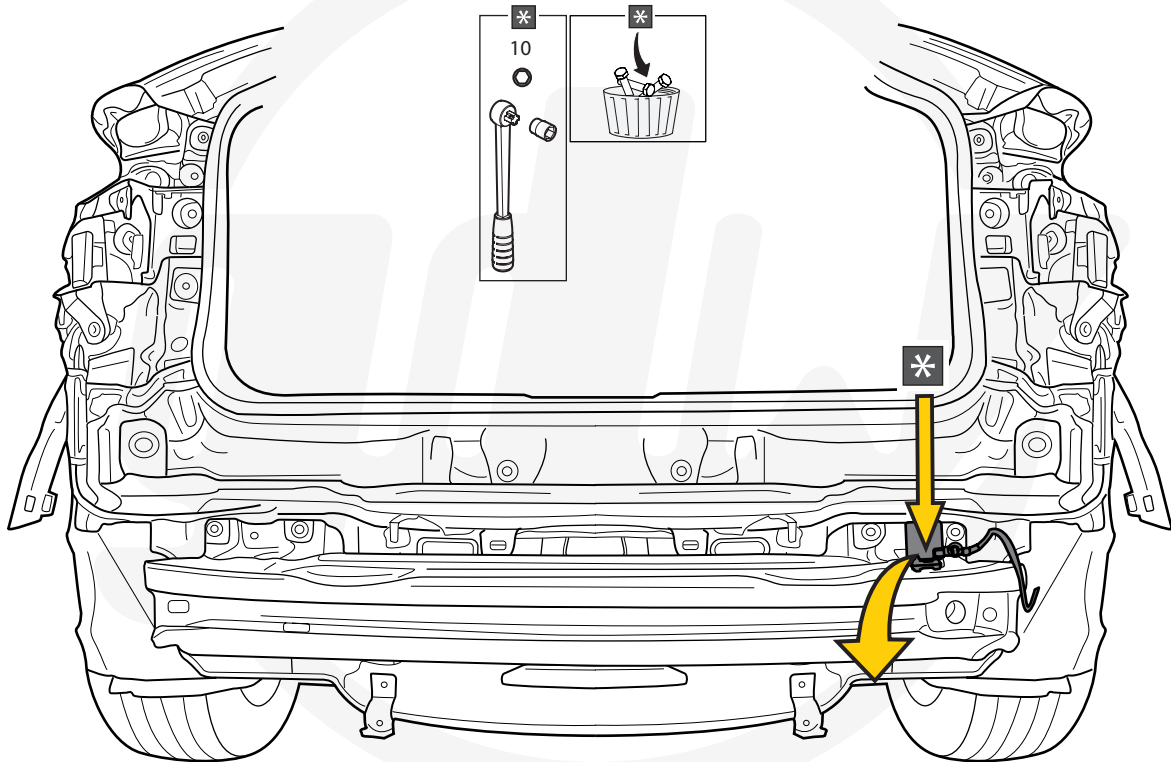
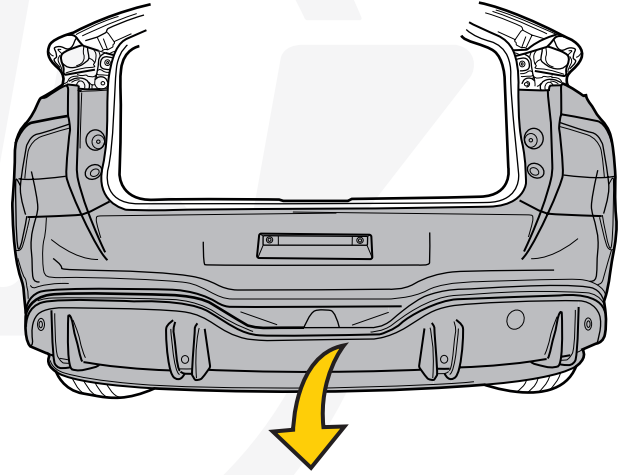
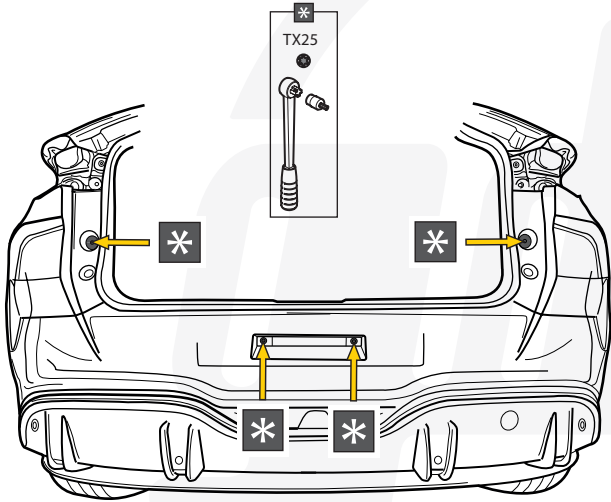


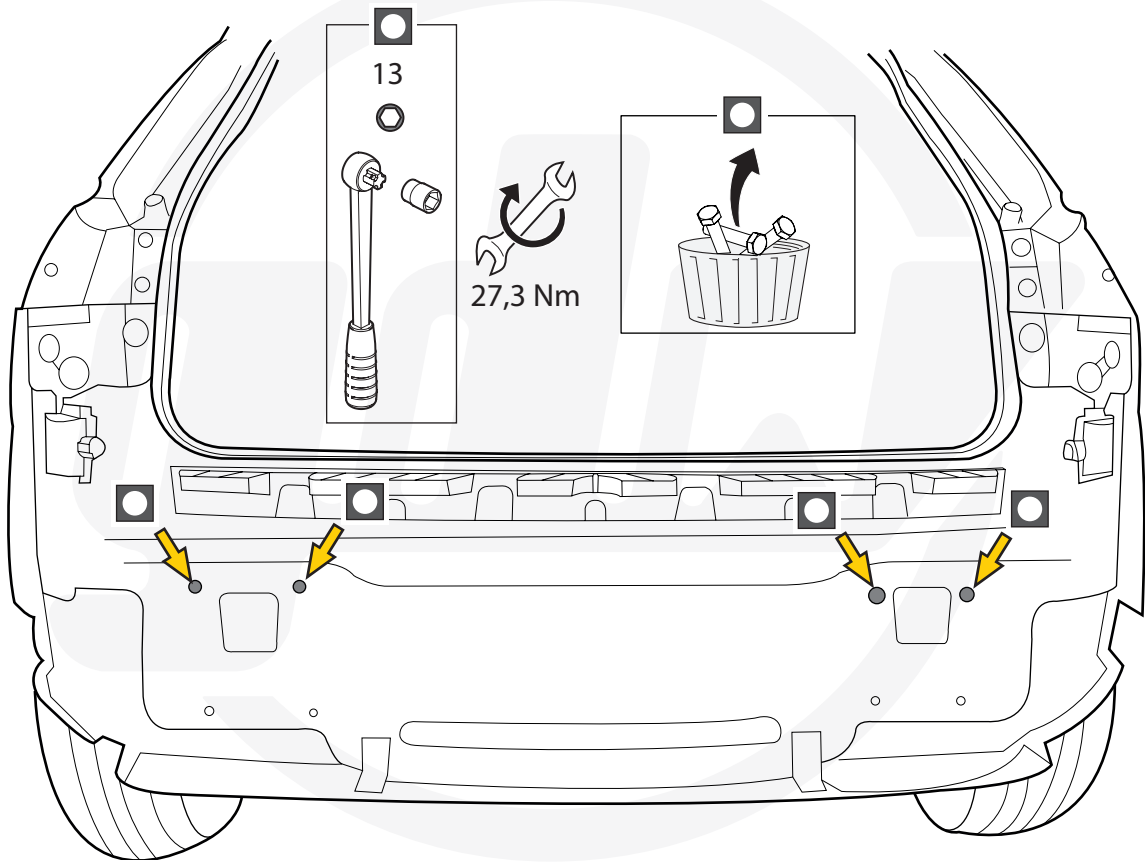
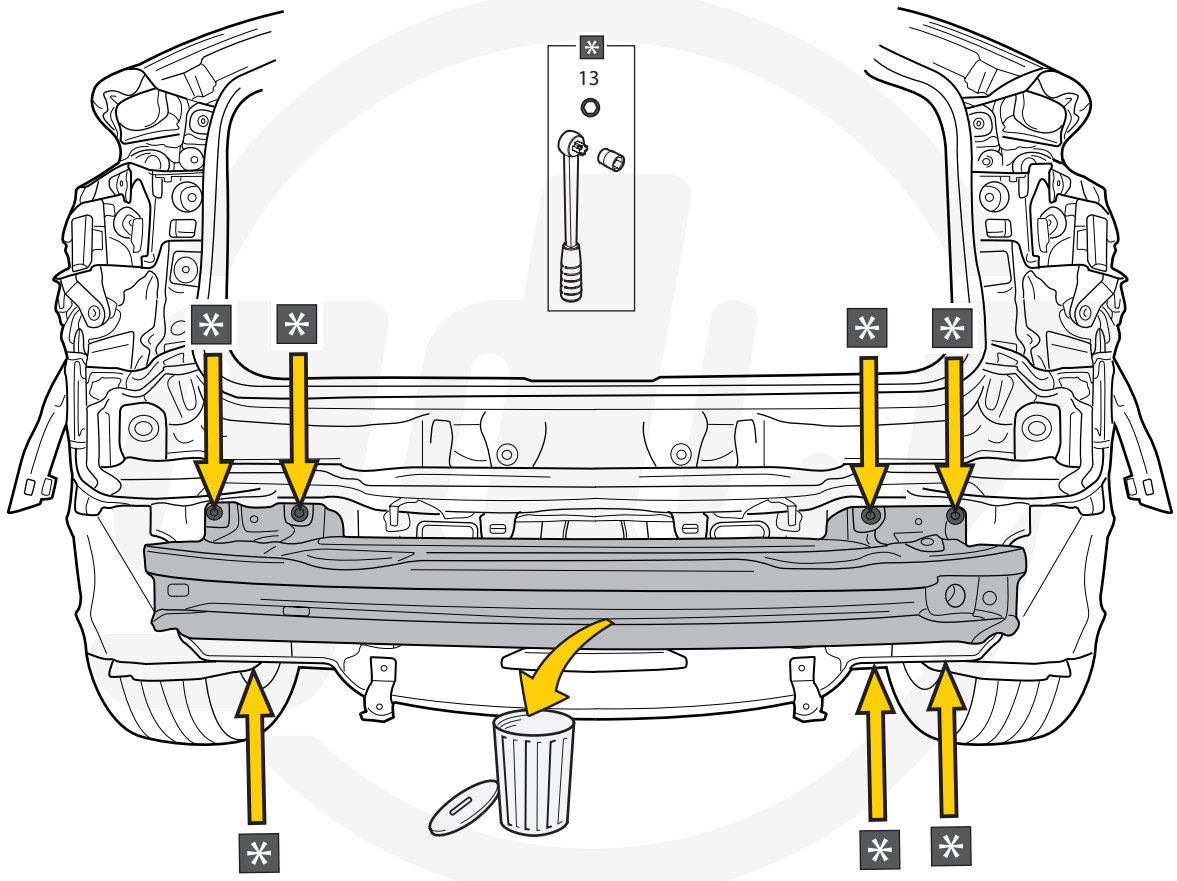
Cupra Tavascan



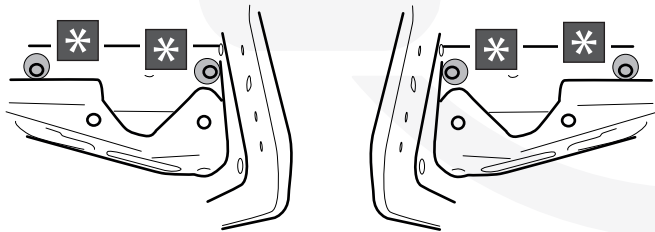
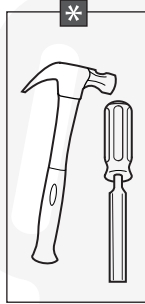
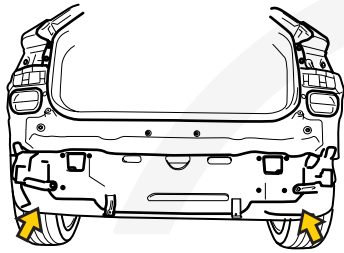
Cupra Tavascan



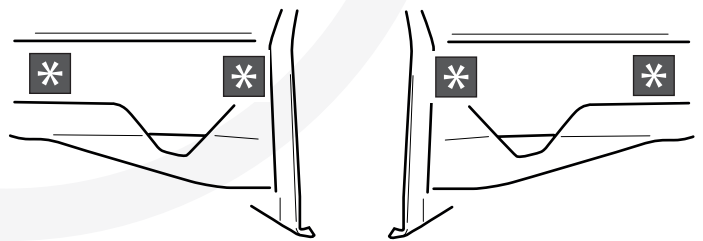
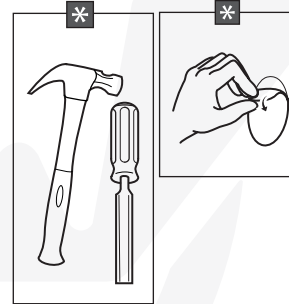
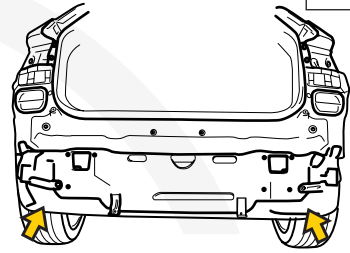




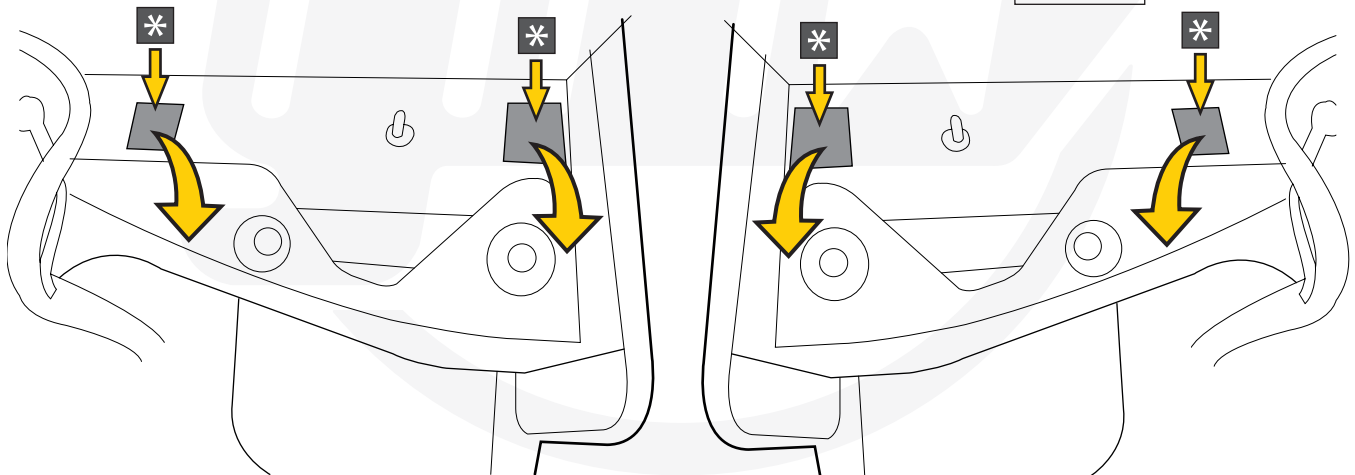
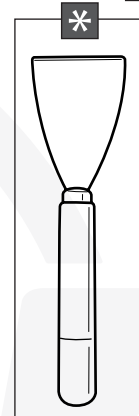
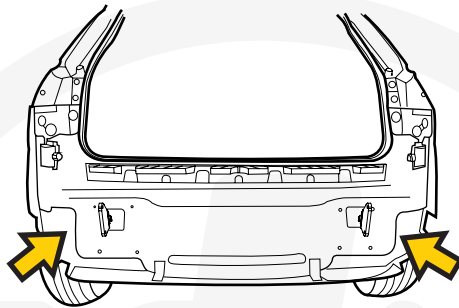
Volkswagen ID.4 - ID.5

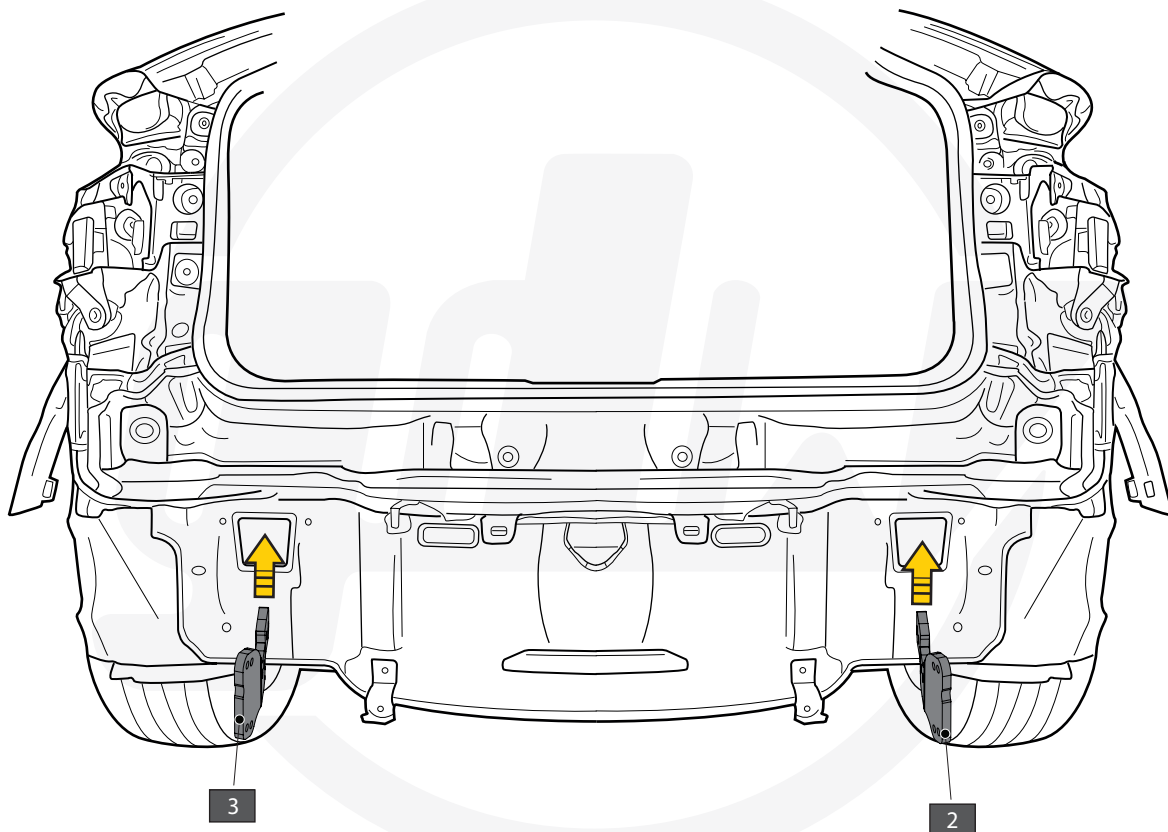


Skoda Enyaq
Skoda Elroq

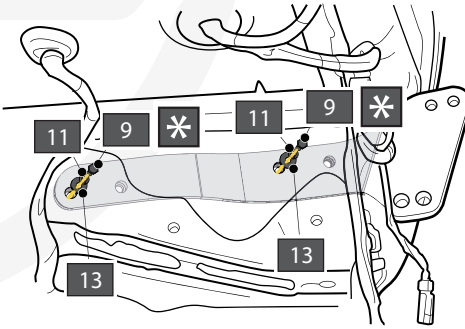
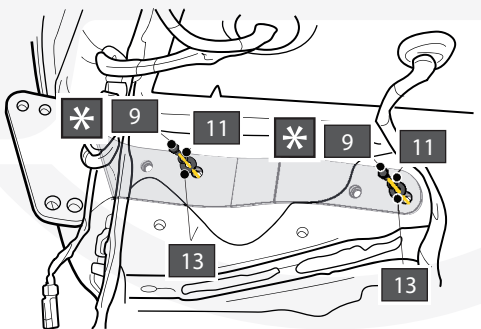
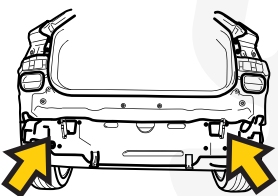
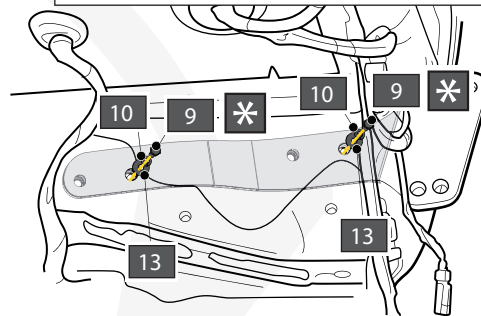
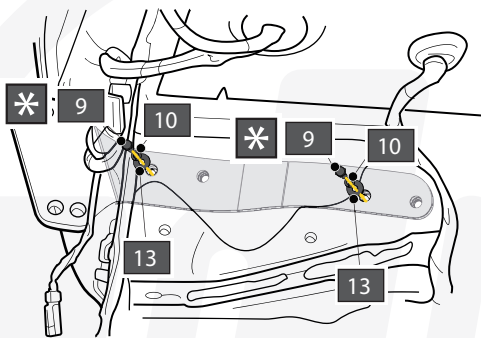
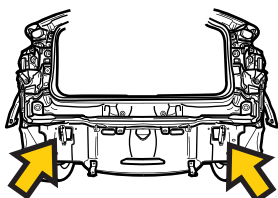


Audi Q4 e-tron

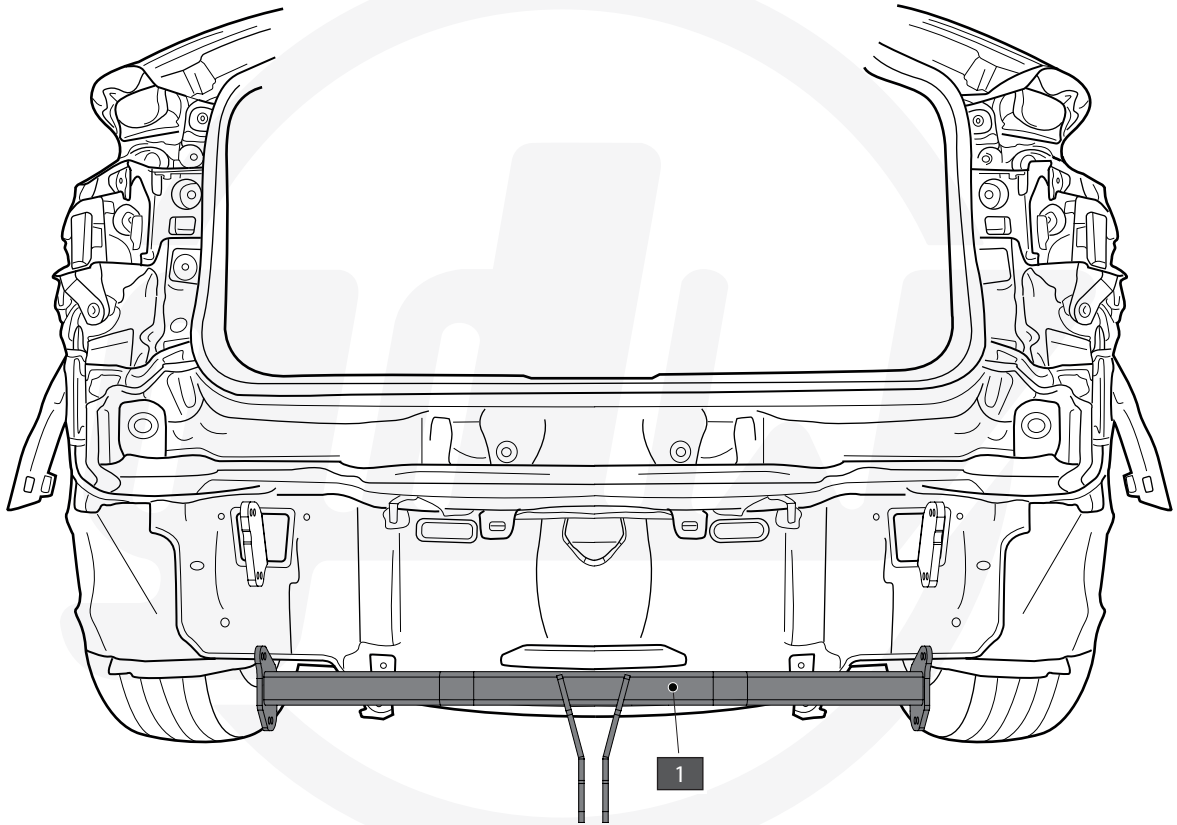




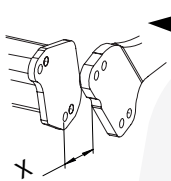
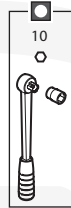
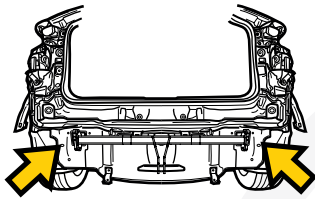
Audi Q4 e-tron - Skoda Elroq
 Cupra Tavascan
 Ford Explorer + Capri
 Volkswagen ID.4 + ID.5 + ID.7



Skoda Enyaq



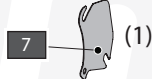
Cupra Tavascan
Ford Explorer + Capri



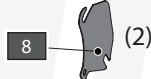
$X < 1 \text{ mm}$



$1 \leq X < 2 \text{ mm}$



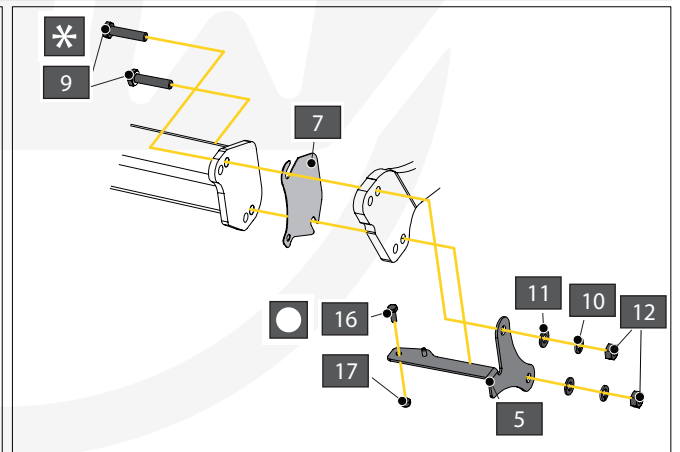
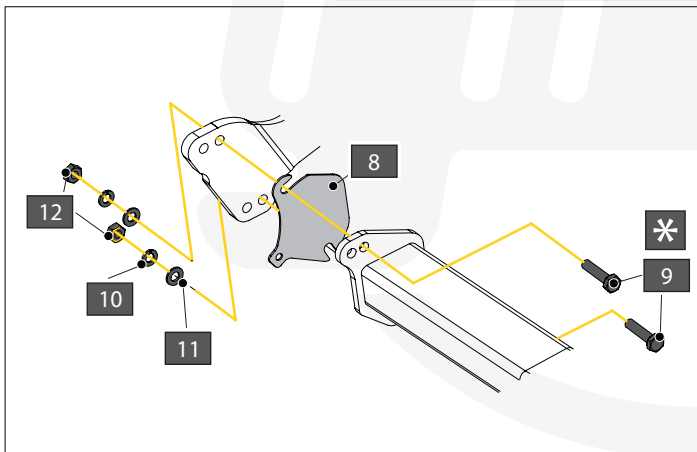
$2 \leq X < 3 \text{ mm}$



$3 \leq X < 4 \text{ mm}$
(1+2)

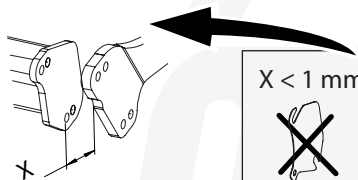
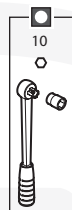
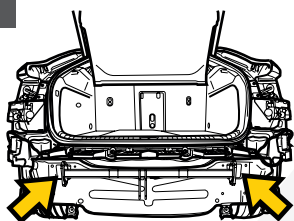


$4 \leq X < 5 \text{ mm}$
(2+2)



27

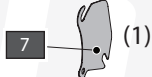
Volkswagen ID.7



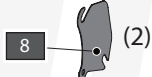
$X < 1 \text{ mm}$



$1 \leq X < 2 \text{ mm}$



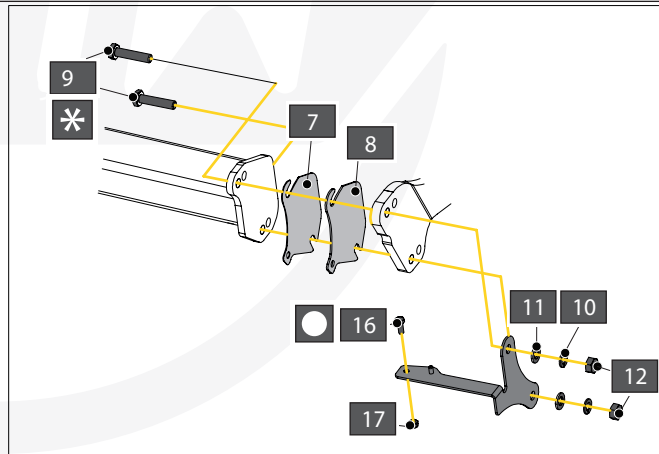
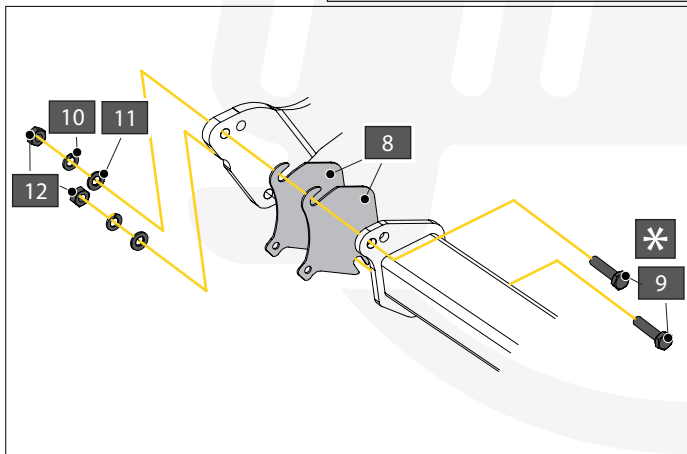
$2 \leq X < 3 \text{ mm}$



$3 \leq X < 4 \text{ mm}$

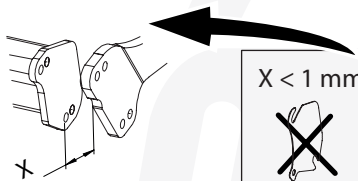
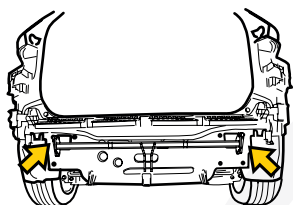


$4 \leq X < 5 \text{ mm}$



28

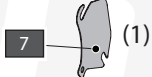
Audi Q4 e-tron
Volkswagen ID.4 + ID.5



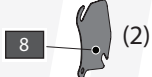
$X < 1 \text{ mm}$



$1 \leq X < 2 \text{ mm}$



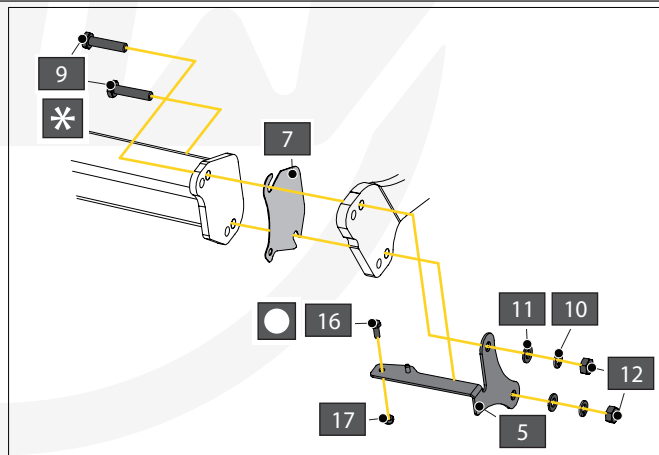
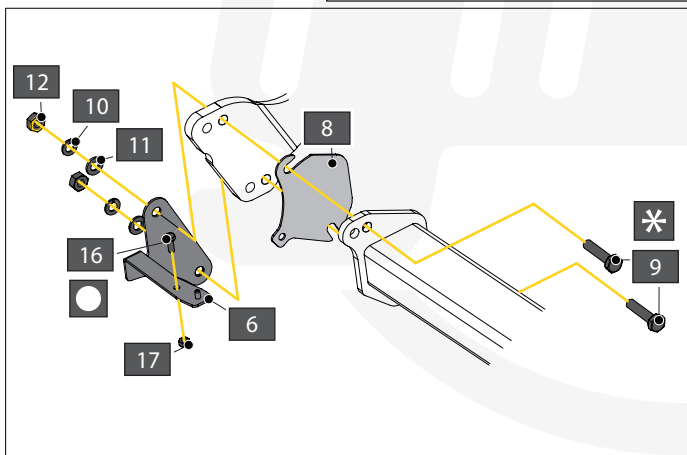
$2 \leq X < 3 \text{ mm}$

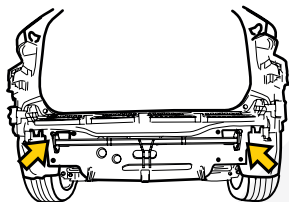


$3 \leq X < 4 \text{ mm}$

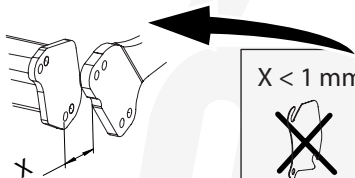


$4 \leq X < 5 \text{ mm}$





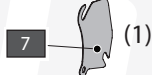
71,0 Nm



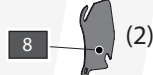
$X < 1 \text{ mm}$



$1 \leq X < 2 \text{ mm}$



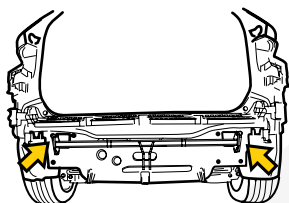
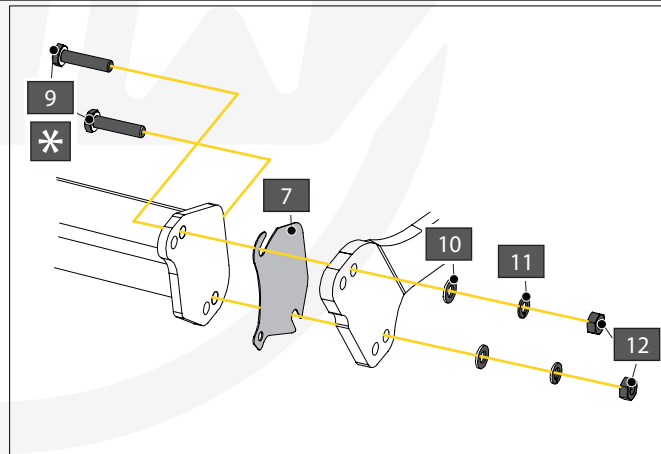
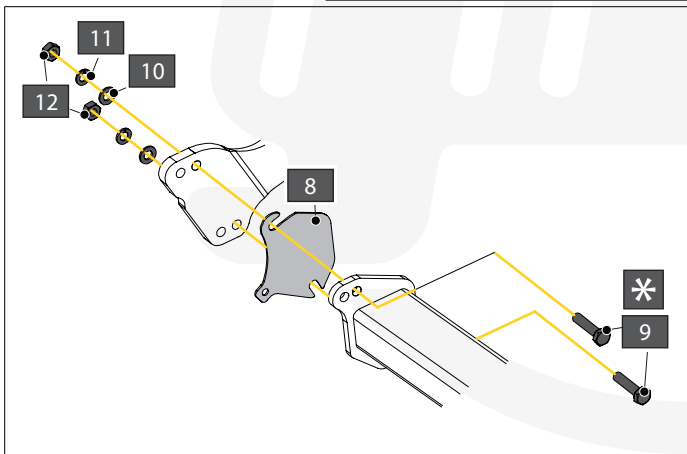
$2 \leq X < 3 \text{ mm}$



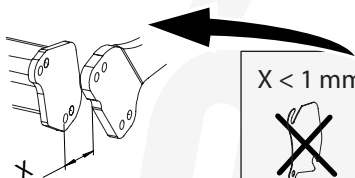
$3 \leq X < 4 \text{ mm}$
(1+2)



$4 \leq X < 5 \text{ mm}$
(2+2)



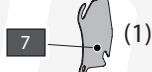
71,0 Nm



$X < 1 \text{ mm}$



$1 \leq X < 2 \text{ mm}$



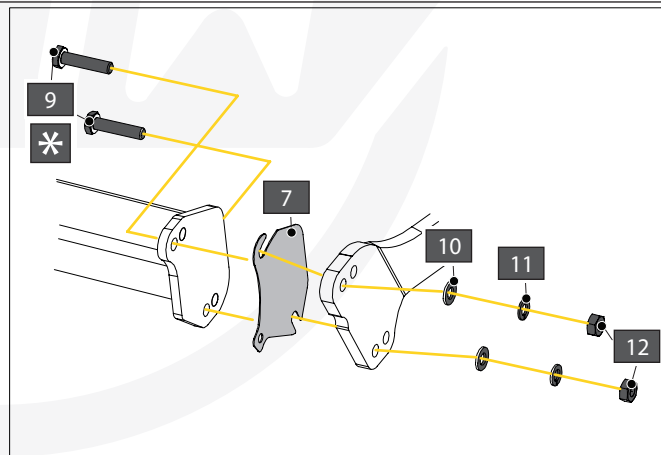
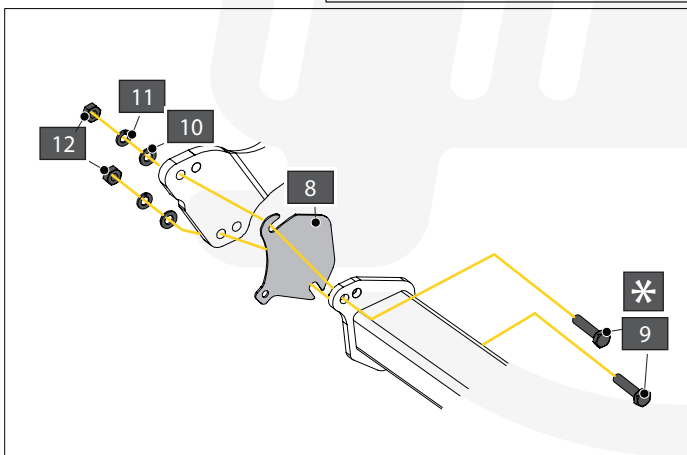
$2 \leq X < 3 \text{ mm}$

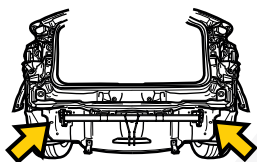


$3 \leq X < 4 \text{ mm}$
(1+2)

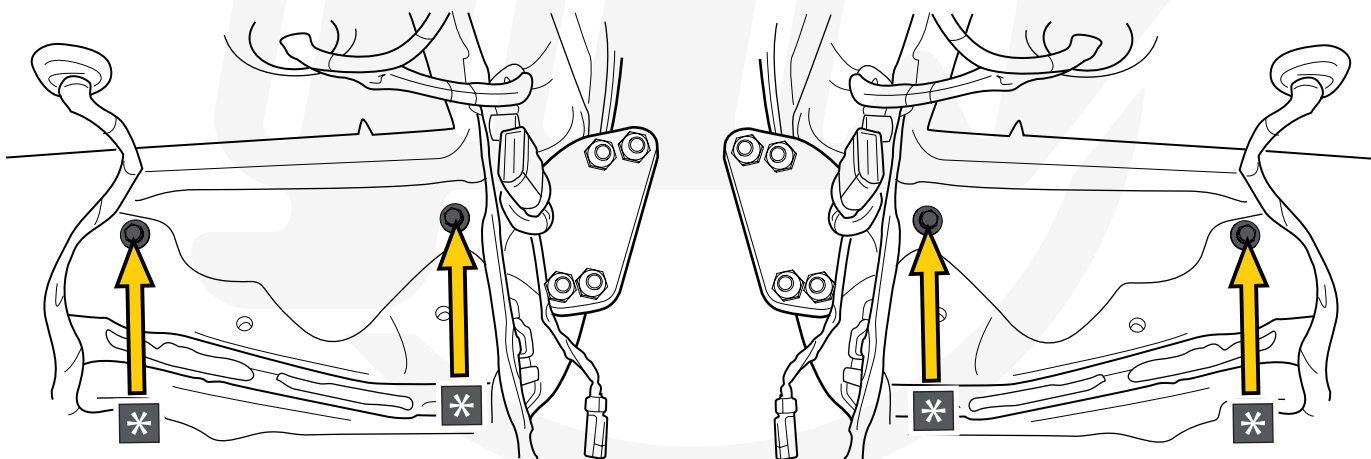
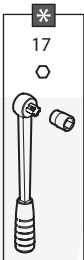


$4 \leq X < 5 \text{ mm}$
(2+2)



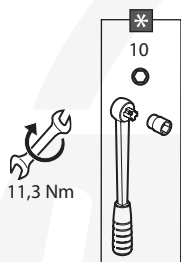


71,0 Nm

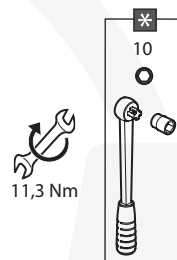
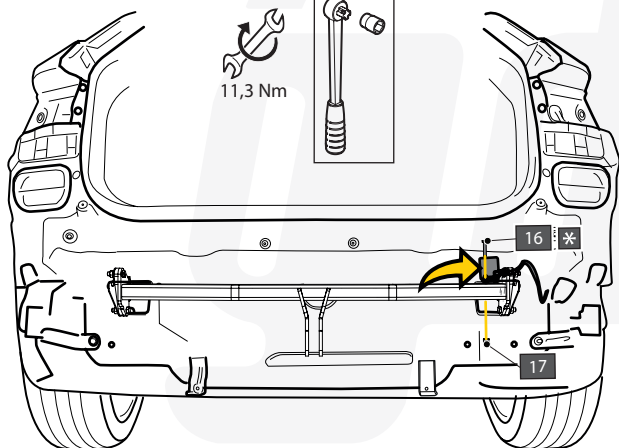


Cupra Tavascan
Ford Explorer + Capri
Volkswagen ID.7

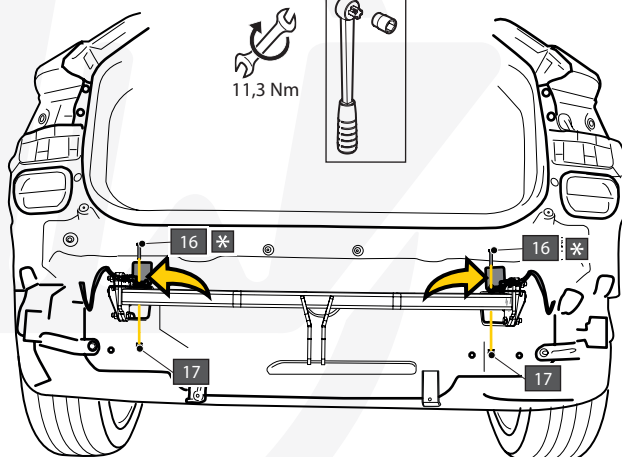
Audi Q4 e-tron
Volkswagen ID.4 + ID.5



11,3 Nm

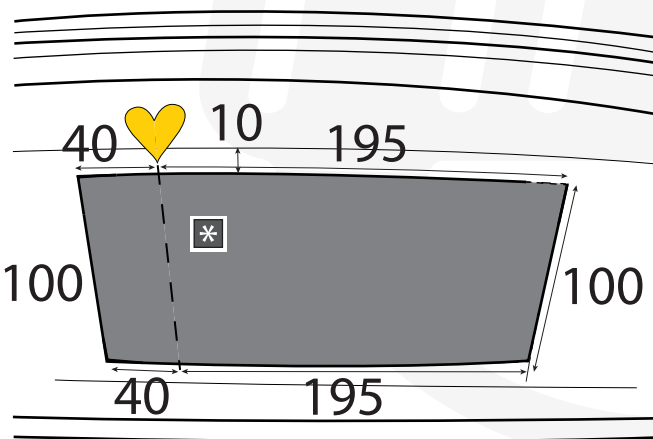
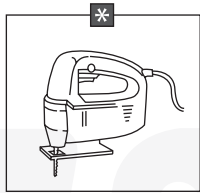
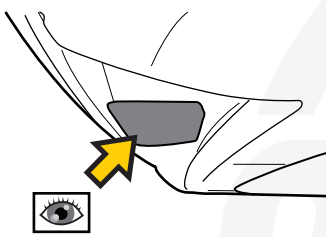
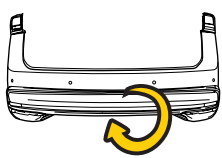


11,3 Nm

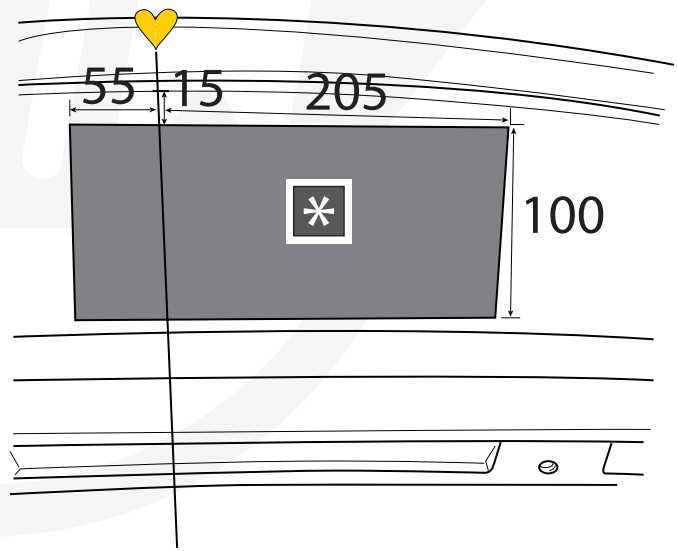
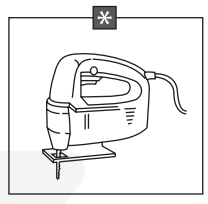


33

Volkswagen ID.7

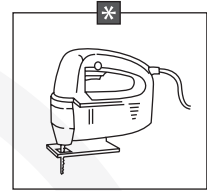
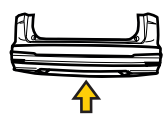


Volkswagen ID.4 + ID.5

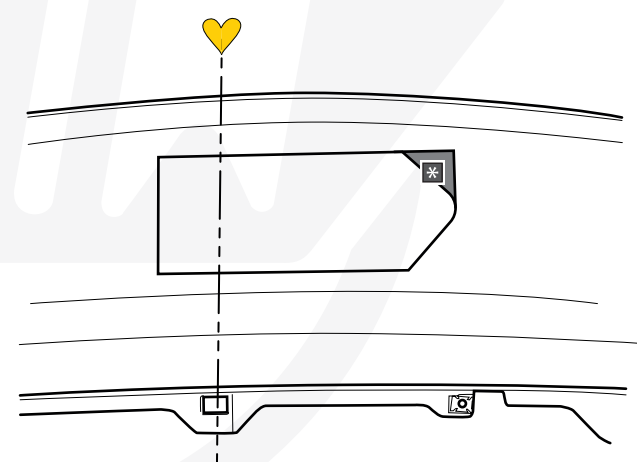
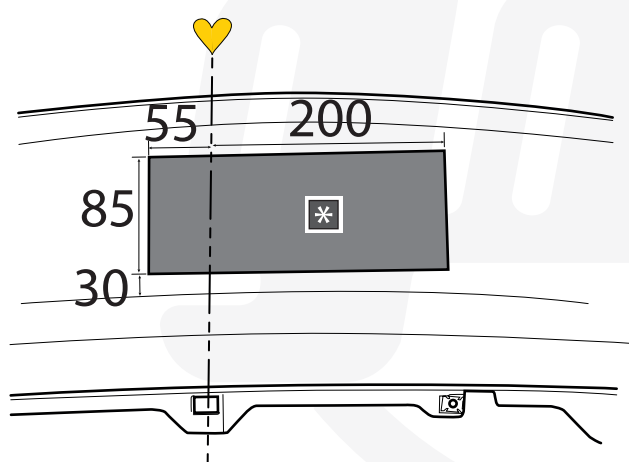


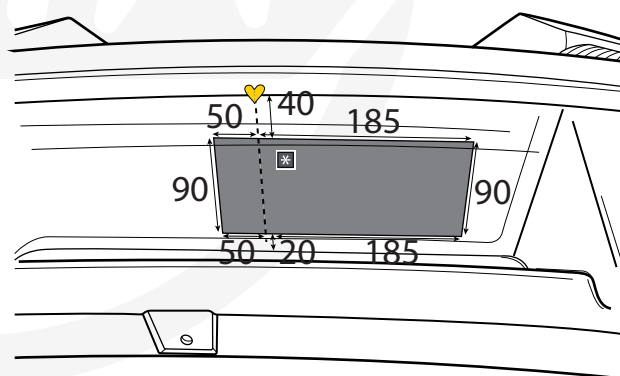
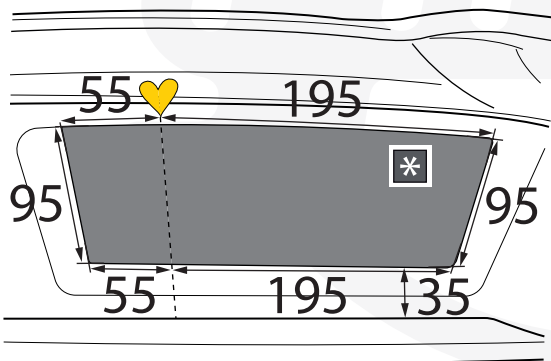
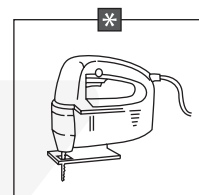
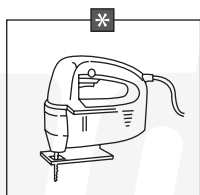
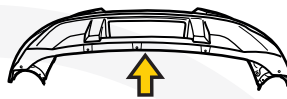
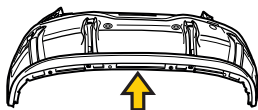
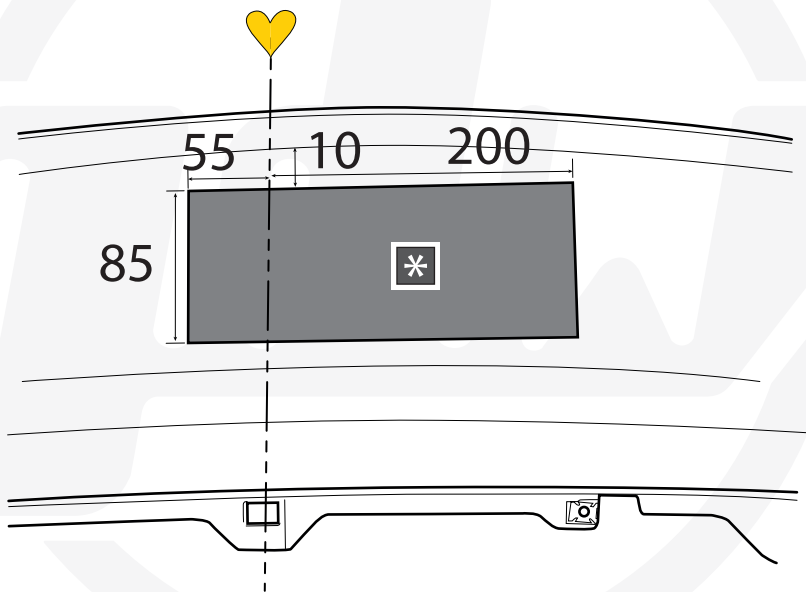
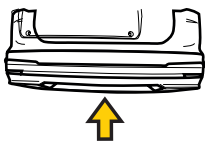
34

Skoda Enyaq



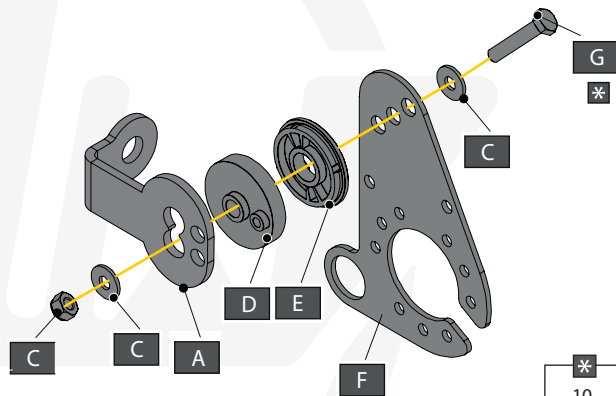
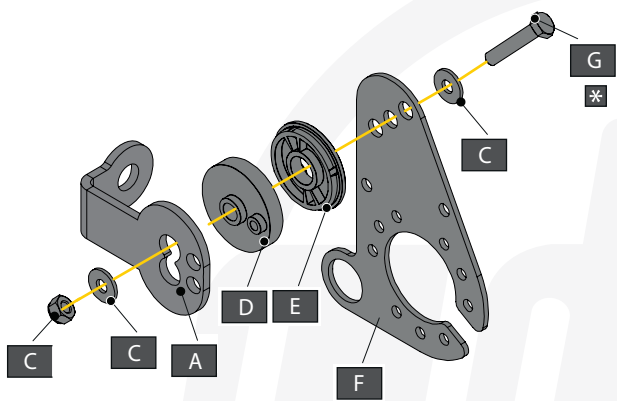
Only with pre-cutting










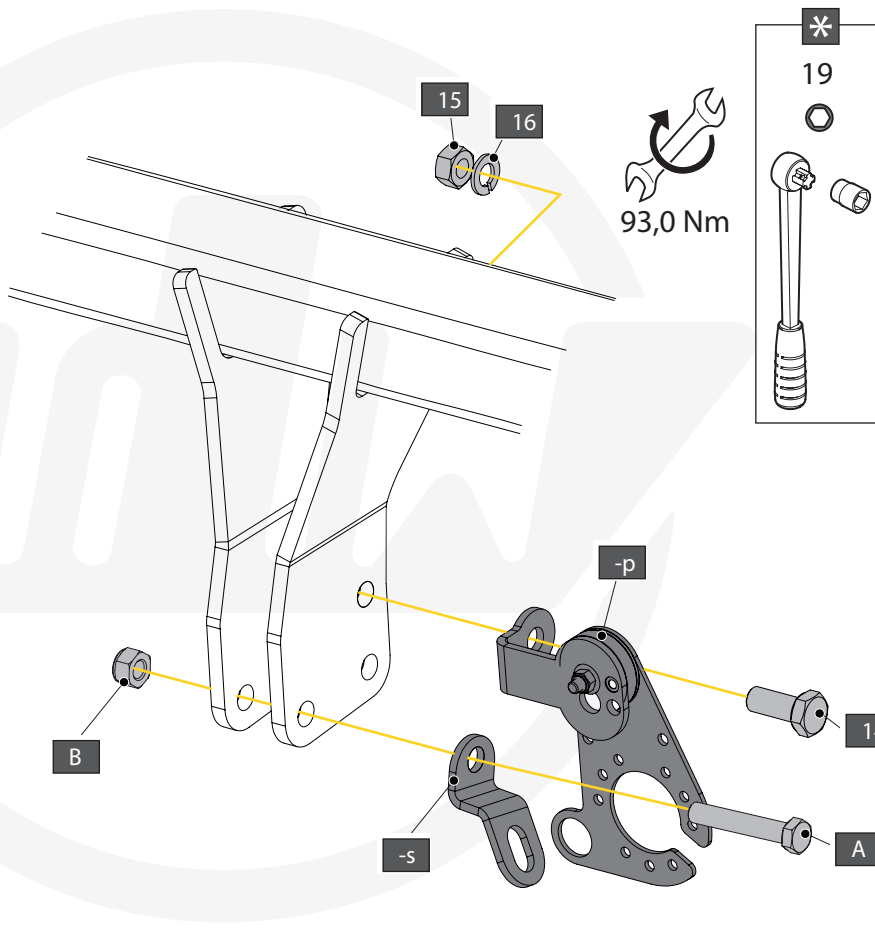
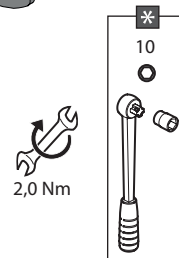
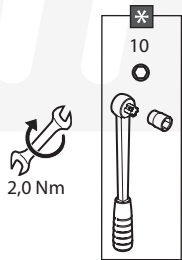


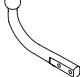
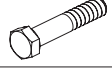


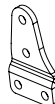
Skoda Enyaq
Skoda Elroq

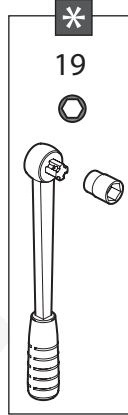
Audi Q4 e-tron
Cupra Tavascan
Ford Explorer + Capri
Volkswagen ID.4 + ID.5 + ID.7



A		X1	GDW REF.4
B		X1	DIN985-M6
C		X2	Ø15,4 X 6,2 X 1,6 (NYLON)
D		X1	GDW REF. 718.16.002
E		X1	GDW REF. 718.16.003
F		X1	GDW REF. 908.094
G		X1	DIN933-M6 X 30



A		X1	944.K005
B		X2	DIN931-M12 X 70
C		X2	DIN985-M12
D		X2	GDW REF. 900.011 Ø 21,3 X 11,7
E		X2	GDW REF. 900.025 GDW REF. 900.026



DICHIARAZIONE DI CORRETTO MONTAGGIO

DECLARATION OF CORRECT INSTALLATION

La sottoscritta ditta dichiara di aver montato in maniera corretta il dispositivo di traino di cui sotto, **seguendo le prescrizioni del costruttore del veicolo e del costruttore del dispositivo.**

The undersigned company declares to have correctly mounted the towing device mentioned below, following the prescriptions of the vehicle manufacturer and the construction manufacturer.

COSTRUTTORE	MANUFACTURER	GDW N.V.
RIFERIMENTO	REFERENCE	2864
AUTOVEICOLO	VEHICLE	AUDI Q4 E-TRON + SPORTSBACK, CUPRA TAVASCAN, FORD EXPLORER + CAPRI, VW ID.4 + ID.5 + ID.7, SKODA ENYAQ SUV + COUPÉ
CLASSE E TIPO DI ATTACO	CLASS	A50-X
APPROVAZIONE	HOMOLOGATION	E6*55R02/02*1855
VALORE D	D VALUE	10,75 kN

Timbro e firma dell'installatore Stamp & signature of installer

DATA
DATE

MASSA RIMORCHIABILE	TOWABLE MASS	Vedere carta circolazione del veicolo See registration certificate of vehicle
CARICO VERTICALE MAX. S	MAX. VERTICAL LOAD S	75 kg

Per facilitare il controllo della compatibilità del dispositivo di traino sul veicolo, è opportuno confrontare le masse riportate sulla carta di circolazione del veicolo con le masse di riferimento sotto riportate (**T** ed **C**):
To simplify checking the compatibility of the towing device on the vehicle, it is advisable to compare the masses shown on the vehicle registration certificate with the reference masses shown below (T and C):

T = Massa complessiva del veicolo in kg *Total vehicle mass in kg*
C = Massa rimorchiabile del veicolo in kg *Towable mass of the vehicle in kg*

Massa complessiva del veicolo, desunta dalla carta di circolazione (**F2**) in kg
Total mass of the vehicle, taken from the registration certificate (F2)

deve essere inferiore od uguale a quella di riferimento **T** (= kg)
must be less than or equal to the reference T

Massa rimorchiabile del veicolo, desunta dalla carta di circolazione (**O1**) in kg
Towable mass of the vehicle, taken from the registration certificate (O1)

deve essere inferiore od uguale a quella di riferimento **C** (= kg)
must be less than or equal to the reference C

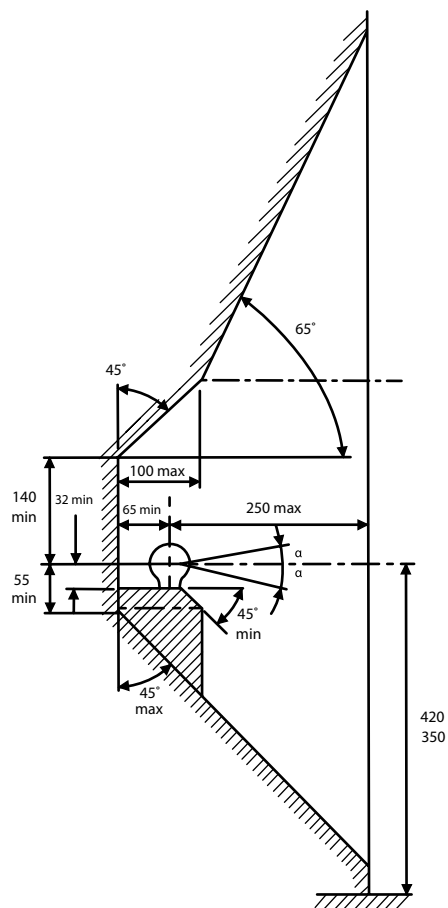
Se tali condizioni sono verificate il dispositivo **è installabile.** *If these conditions are met, the device can be installed.*

Se tali condizioni non si verificano, si deve procedere al seguente calcolo:
If these conditions are not met, the following calculation must be made:

$$D = \frac{T \times C}{T + C} \times 0,00981 = \dots\dots\dots \text{ kN}$$

Se **D** risulta inferiore a **10,75 kN** (valore riportato sulla targhetta e sul presente documento) il dispositivo **può essere installato.**
If D is less than 10,75 kN (value shown on the plate and on this document) the device can be installed.

NOTA ESPLICATIVA
EXPLANATORY NOTE

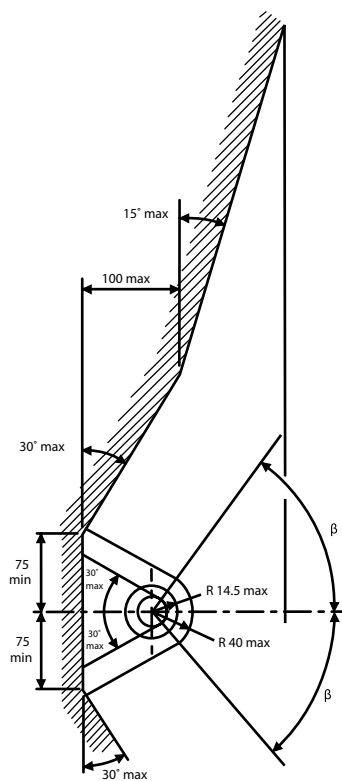


De tussenruimte conform bijlage VII, afbeelding 25 (a, b) van het reglement nr. 55-01 UN/ECE moet in acht genomen worden. Deze voorschriften zijn niet van toepassing op terreinvoertuigen klasse G.

La zone de dégagement doit être garantie conformément à l'annexe VII, illustration 25 (a, b) de la règle n° 55-01 UN/ECE. Ces dispositions ne s'appliquent pas aux véhicules tout-terrain classe G.

The clearance specified in appendix VII, diagram 25 (a, b) of regulation nr. 55-01 UN/ECE must be guaranteed. These requirements shall not apply to all-terrain vehicles class G.

Der Freiraum nach Anhang VII, Abbildung 25 (a, b) der Regulierung nr. 55-01 UN/ECE ist zu gewährleisten. Diese Vorschriften gelten nicht für Geländefahrzeugen Klasse G.



Bij toelaatbaar totaal gewicht van het voertuig

Pour poids total en charge autorisé du véhicule

At laden weight of the vehicle

Bei zulässigem Gesamtgewicht des Fahrzeuges

Peso total admisible del vehículo

Ved tilladt samlet vægt for køretøjet